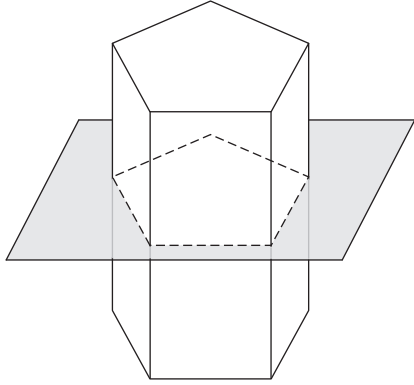


Name : \_\_\_\_\_

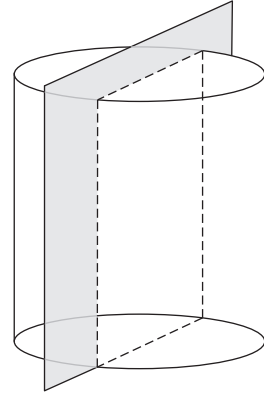
## Cross Section of 3D Shapes

Identify and name the 2D shape that is formed on slicing the following 3D figures.

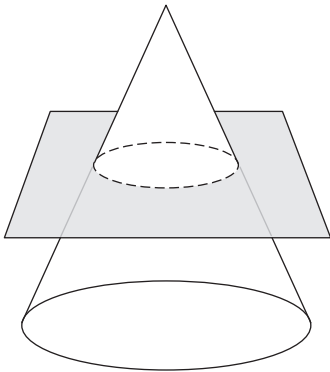
1)



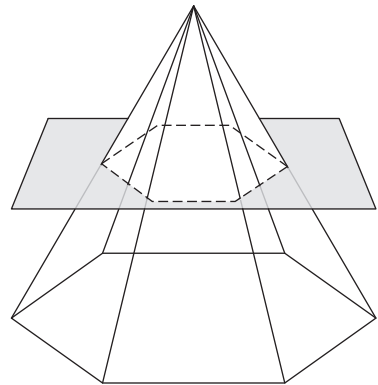
2)



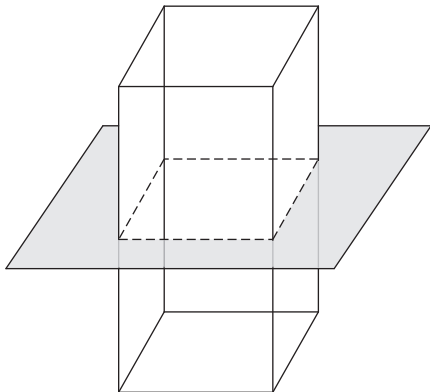
3)



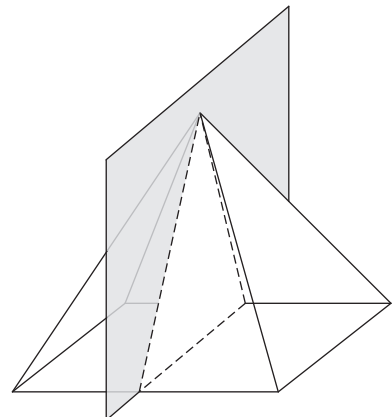
4)



5)



6)



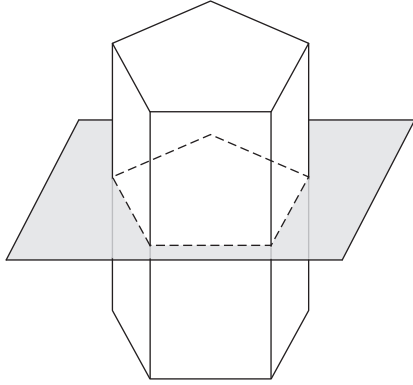
Name : \_\_\_\_\_

**Answer key**

**Cross Section of 3D Shapes**

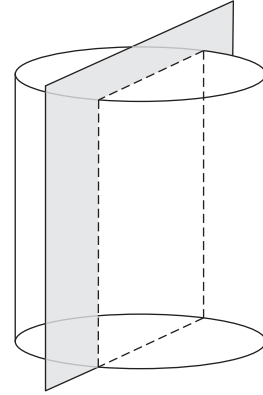
Identify and name the 2D shape that is formed on slicing the following 3D figures.

1)



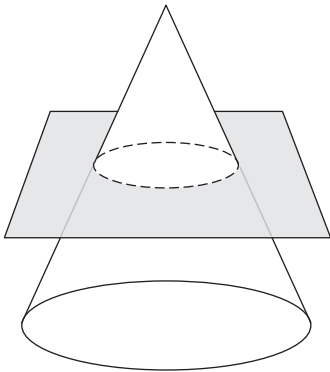
**pentagon**

2)



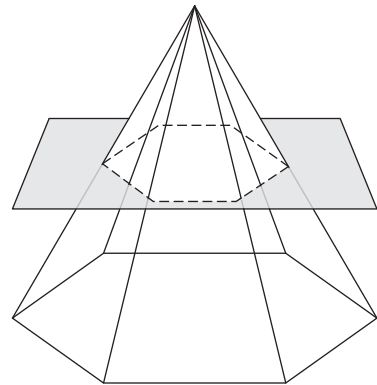
**rectangle**

3)



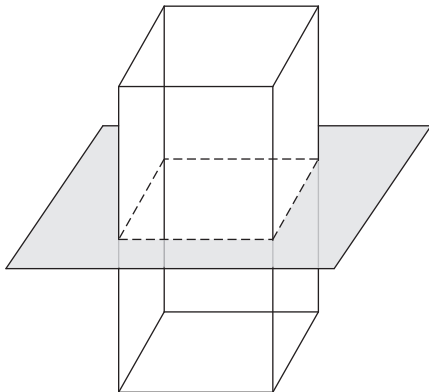
**circle**

4)



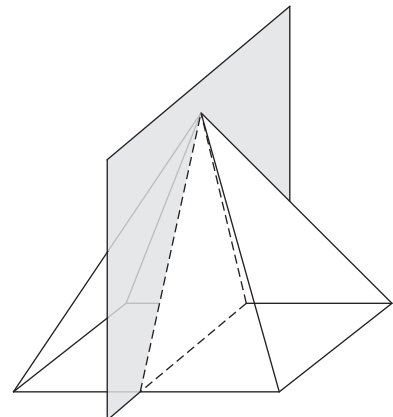
**hexagon**

5)



**rectangle**

6)



**triangle**