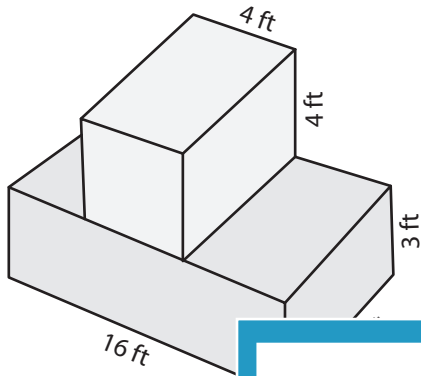


# Surface Area of Composite Figures

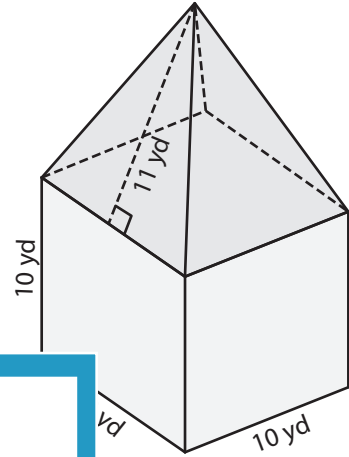
Find the surface area of each figure. Round your answer to two decimal places.  
(use  $\pi = 3.14$ )

1)



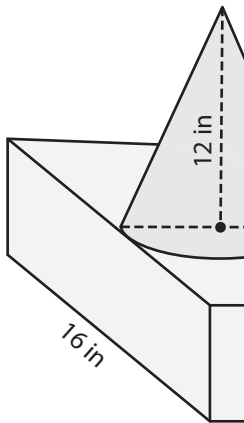
Surface Area = \_\_\_\_\_

2)

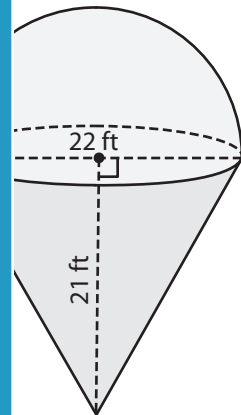


Surface Area = \_\_\_\_\_

3)

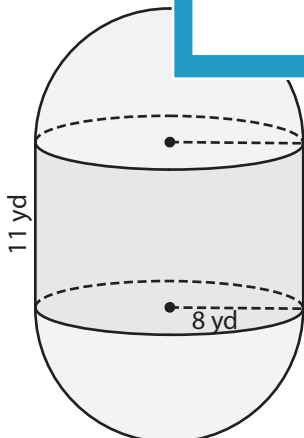


Surface Area = \_\_\_\_\_

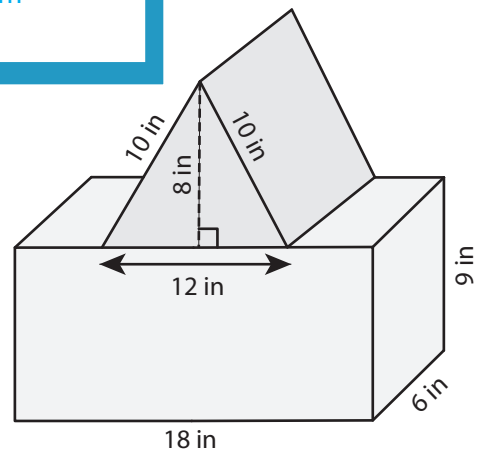


Surface Area = \_\_\_\_\_

5)



Surface Area = \_\_\_\_\_



Surface Area = \_\_\_\_\_

## PREVIEW

Gain complete access to the largest collection of worksheets in all subjects!

Members, please log in to download this worksheet.

Not a member? Please sign up to gain complete access.

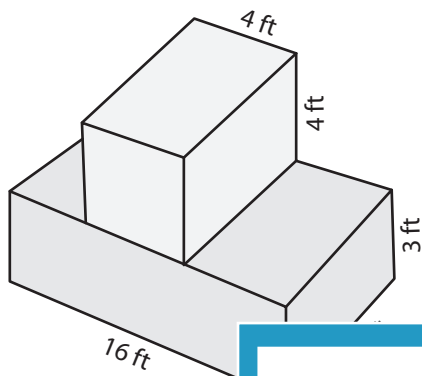
[www.mathworksheets4kids.com](http://www.mathworksheets4kids.com)

Name : \_\_\_\_\_

**Surface Area of Composite Figures**

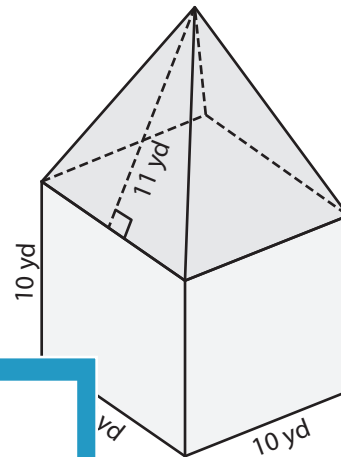
Find the surface area of each figure. Round your answer to two decimal places. (use  $\pi = 3.14$ )

1)



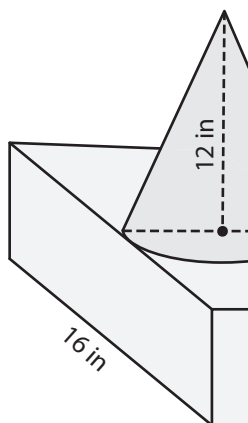
Surface Area = \_\_\_\_\_

2)



Surface Area = 720 yd<sup>2</sup>

3)



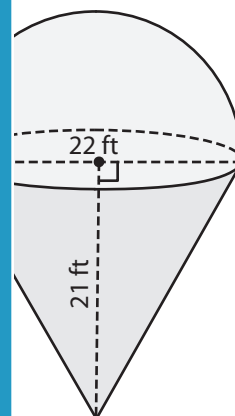
Surface Area = \_\_\_\_\_

Gain complete access to the largest collection of worksheets in all subjects!

Members, please log in to download this worksheet.

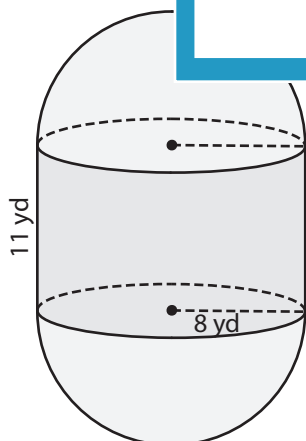
Not a member? Please sign up to gain complete access.

[www.mathworksheets4kids.com](http://www.mathworksheets4kids.com)

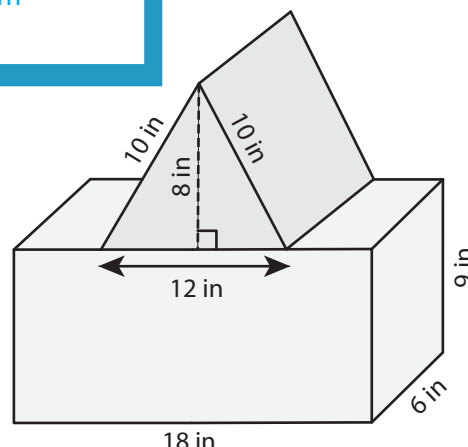


Surface Area = 1,578.70 ft<sup>2</sup>

5)



Surface Area = 1,356.48 yd<sup>2</sup>



Surface Area = 792 in<sup>2</sup>