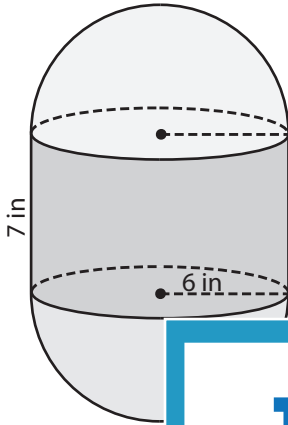


Surface Area of Composite Figures

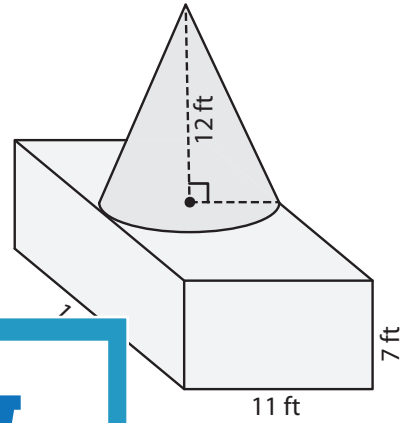
Find the surface area of each figure. Round your answer to two decimal places.
(use $\pi = 3.14$)

1)



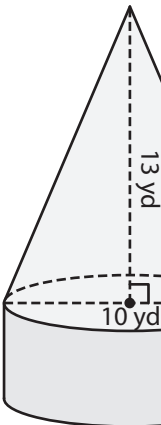
Surface Area = _____

2)

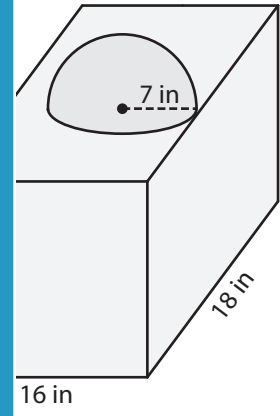


Surface Area = _____

3)

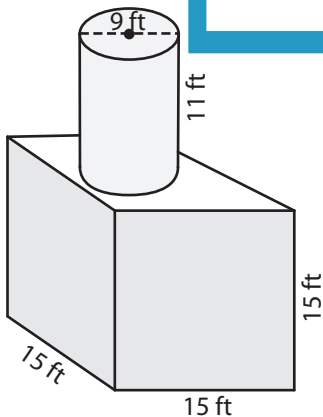


Surface Area = _____

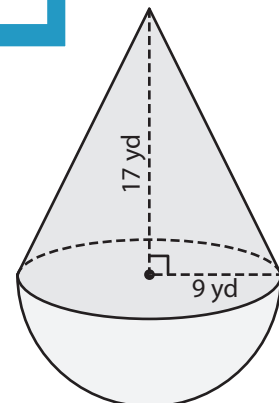


Surface Area = _____

5)



Surface Area = _____



Surface Area = _____

PREVIEW

Gain complete access to the largest collection of worksheets in all subjects!

Members, please log in to download this worksheet.

Not a member? Please sign up to gain complete access.

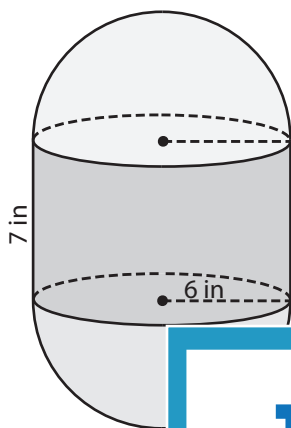
www.mathworksheets4kids.com

Name : _____

Surface Area of Composite Figures

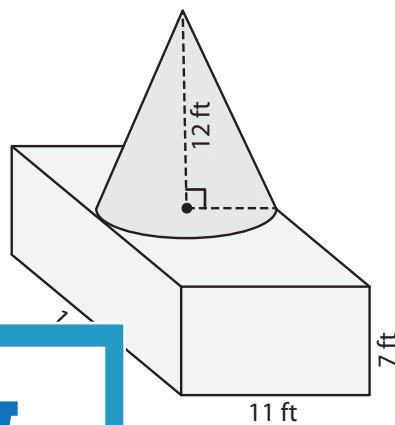
Find the surface area of each figure. Round your answer to two decimal places. (use $\pi = 3.14$)

1)



Surface Area = _____

2)

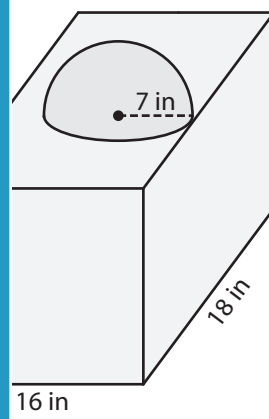


Surface Area = **790.99 ft²**

3)

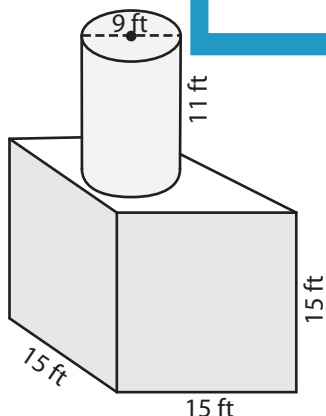


Surface Area = _____

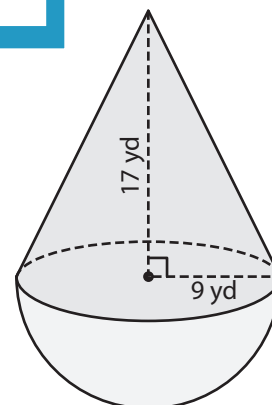


Surface Area = **1,817.86 in²**

5)



Surface Area = **1,660.86 ft²**



Surface Area = **1,052.27 yd²**

PREVIEW

Gain complete access to the largest collection of worksheets in all subjects!

Members, please log in to download this worksheet.

Not a member? Please sign up to gain complete access.

www.mathworksheets4kids.com