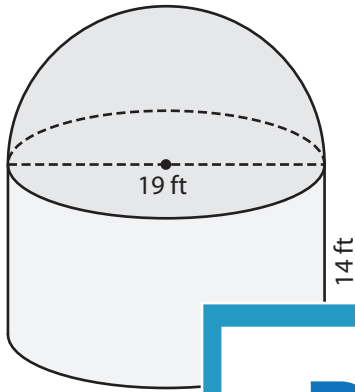


Surface Area of Composite Figures

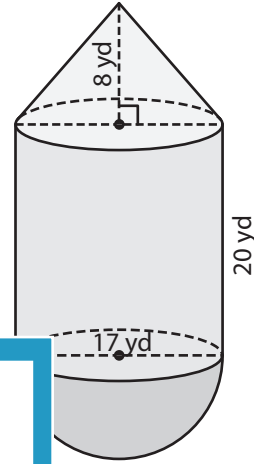
Find the surface area of each figure. Round your answer to two decimal places. (use $\pi = 3.14$)

1)



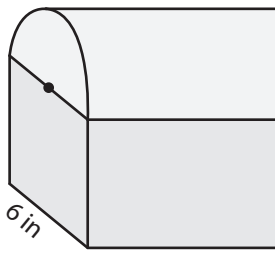
Surface Area = _____

2)



= _____

3)



Surface Area = _____

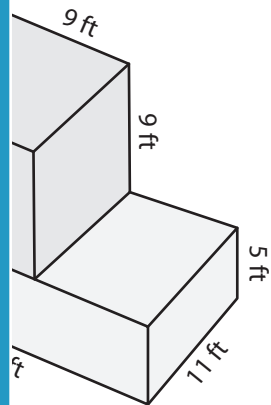
PREVIEW

Gain complete access to the largest collection of worksheets in all subjects!

Members, please log in to download this worksheet.

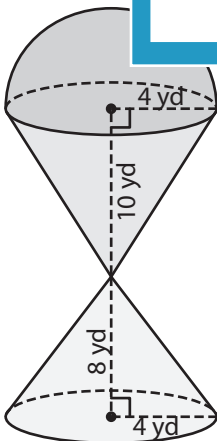
Not a member? Please sign up to gain complete access.

www.mathworksheets4kids.com

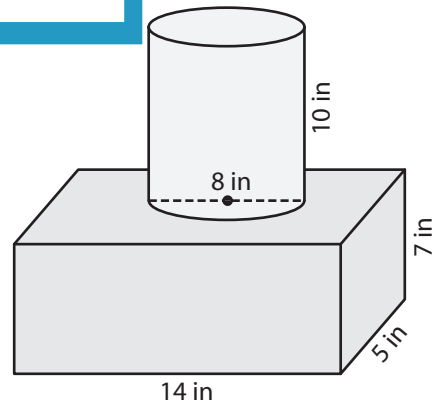


= _____

5)



Surface Area = _____



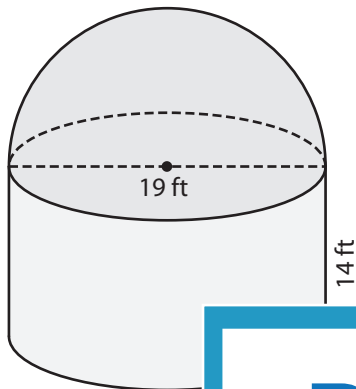
Surface Area = _____

Name : _____

Surface Area of Composite Figures

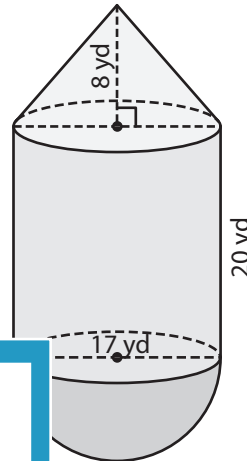
Find the surface area of each figure. Round your answer to two decimal places. (use $\pi = 3.14$)

1)



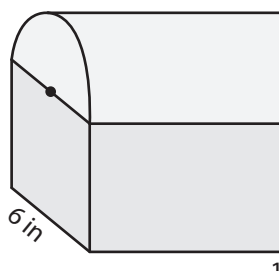
Surface Area = _____

2)



= 1,832.87 yd²

3)



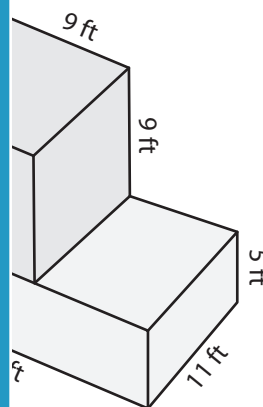
Surface Area = _____

Gain complete access to the largest collection of worksheets in all subjects!

Members, please log in to download this worksheet.

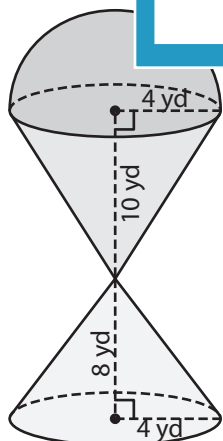
Not a member? Please sign up to gain complete access.

www.mathworksheets4kids.com

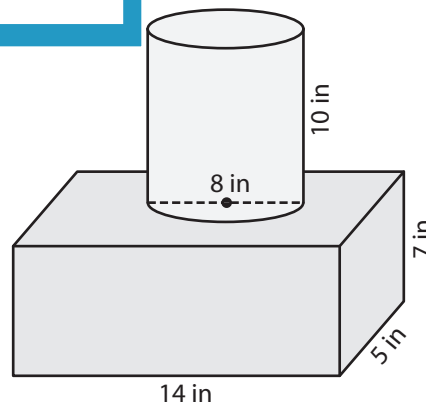


= 950 ft²

5)



Surface Area = 398.34 yd²



Surface Area = 657.2 in²