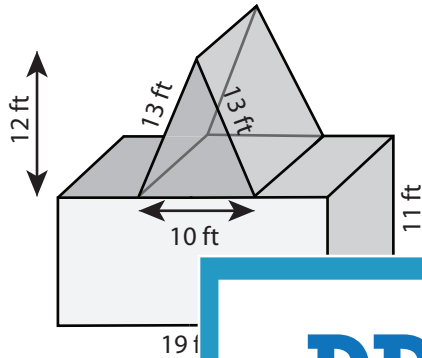


Surface Area - Compound Shapes

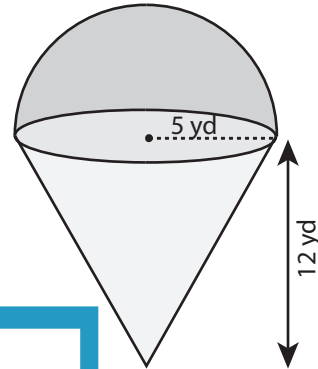
Find the surface area of each figure. Round the answer to two decimal places. (use $\pi = 3.14$)

1)

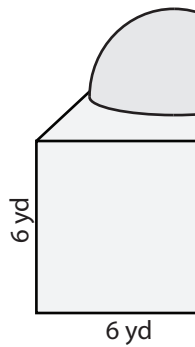


Surface Area = _____

2)



3)



Surface Area = _____

PREVIEW

Access the largest collection of
worksheets for just **\$19.95** per year!

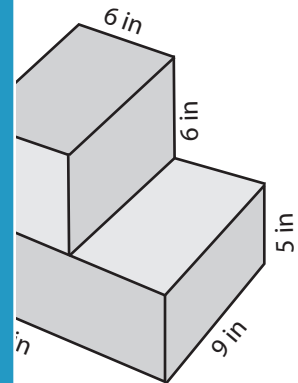
Members, please
log in to
download this
worksheet.

Log in

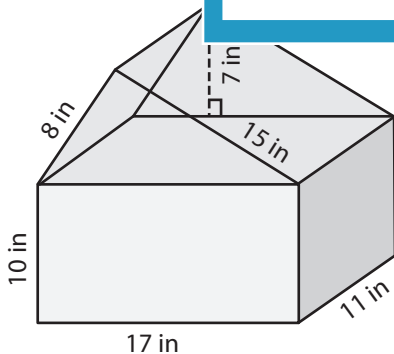
Not a member?
Please sign up to
gain complete
access.

Sign up

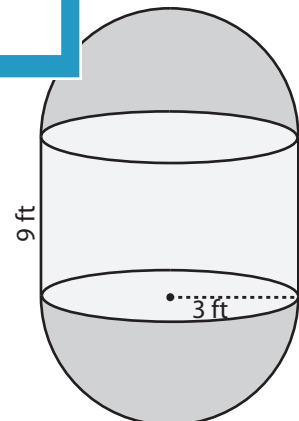
www.mathworksheets4kids.com



5)



Surface Area = _____



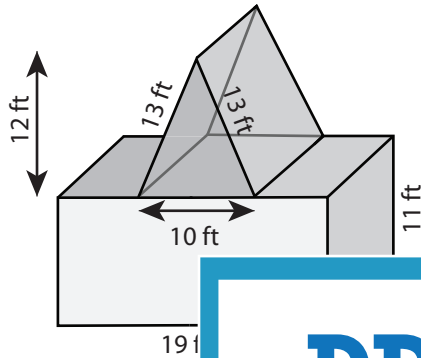
Surface Area = _____

Answer key

Surface Area - Compound Shapes

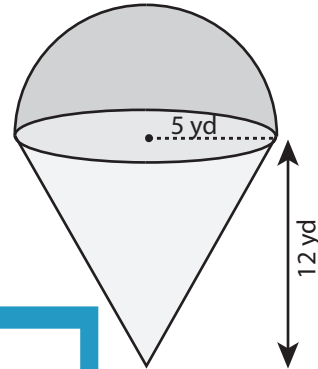
Find the surface area of each figure. Round the answer to two decimal places. (use $\pi = 3.14$)

1)



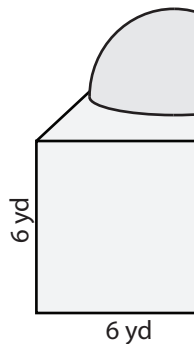
Surface Area = _____

2)



361.1 yd²

3)



Surface Area = _____

Access the largest collection of worksheets for just **\$19.95** per year!

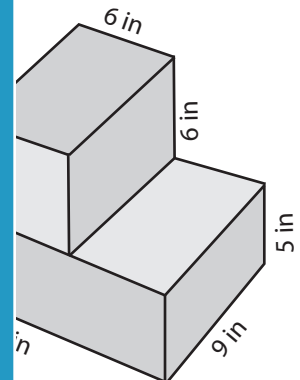
Members, please log in to download this worksheet.

Log in

Not a member? Please sign up to gain complete access.

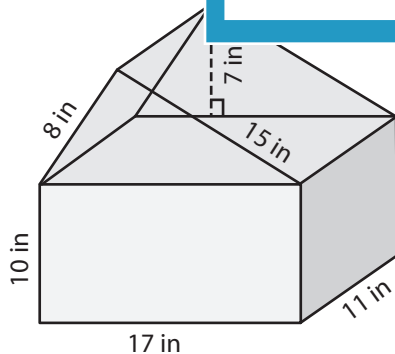
Sign up

www.mathworksheets4kids.com

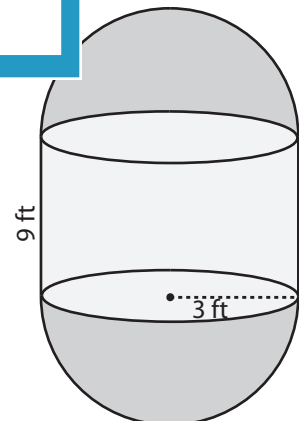


690 in²

5)



Surface Area = **1119 in²**



Surface Area = **282.6 ft²**