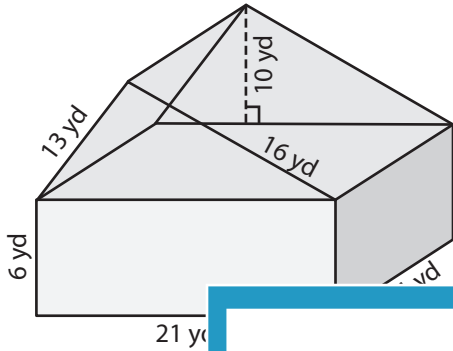


Surface Area - Compound Shapes

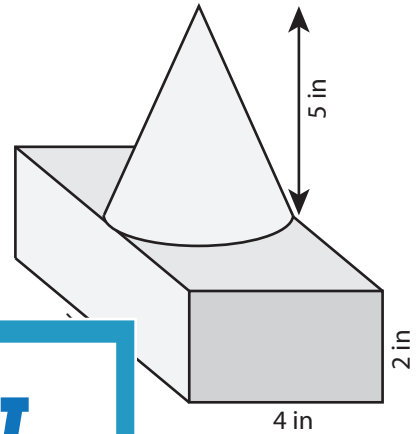
Find the surface area of each figure. Round the answer to two decimal places. (use $\pi = 3.14$)

1)

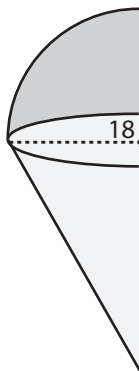


Surface Area = _____

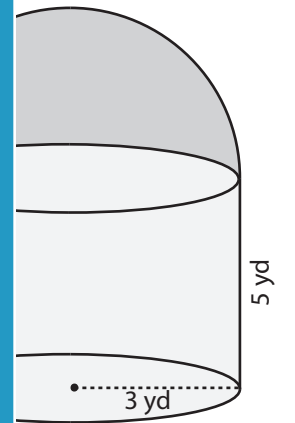
2)



3)



Surface Area = _____



PREVIEW

Access the largest collection of
worksheets for just **\$19.95** per year!

Members, please
log in to
download this
worksheet.

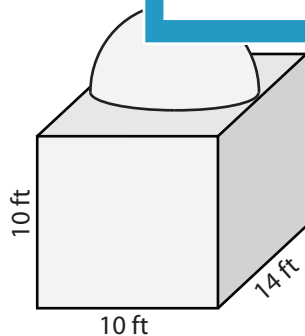
Log in

Not a member?
Please sign up to
gain complete
access.

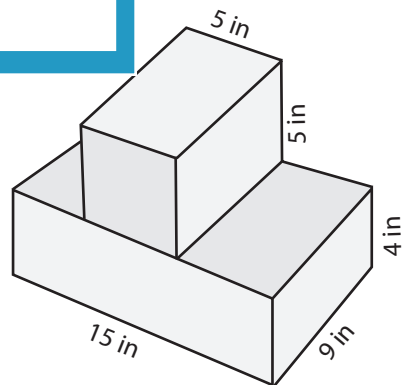
Sign up

www.mathworksheets4kids.com

5)



Surface Area = _____

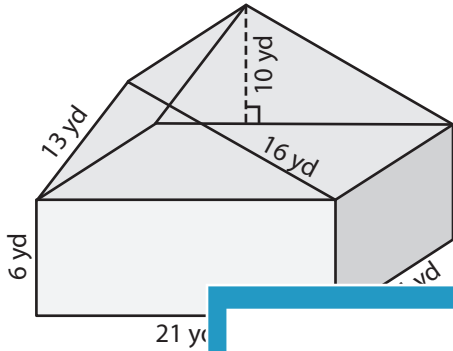


Surface Area = _____

Surface Area - Compound Shapes

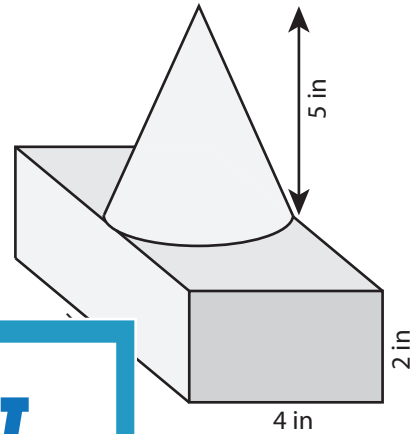
Find the surface area of each figure. Round the answer to two decimal places. (use $\pi = 3.14$)

1)



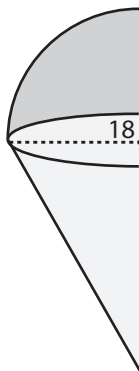
Surface Area = _____

2)



121.26 in²

3)



Surface Area = _____

Access the largest collection of worksheets for just **\$19.95** per year!

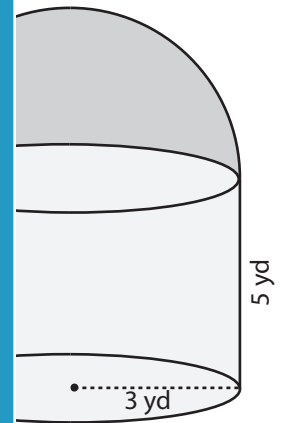
Members, please log in to download this worksheet.

Log in

Not a member? Please sign up to gain complete access.

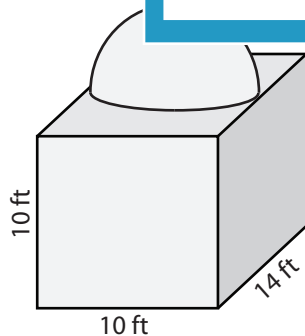
Sign up

www.mathworksheets4kids.com

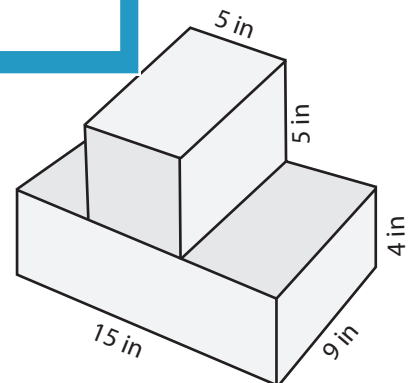


178.98 yd²

5)



Surface Area = **838.5 ft²**



Surface Area = **602 in²**