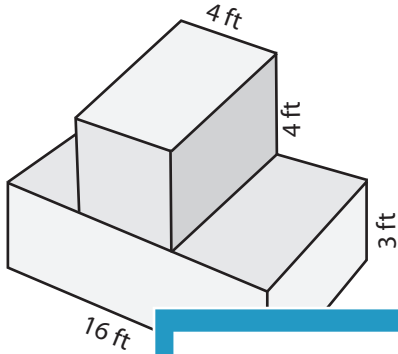


Surface Area - Compound Shapes

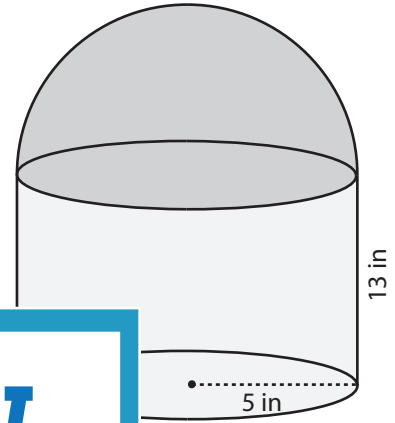
Find the surface area of each figure. Round the answer to two decimal places. (use $\pi = 3.14$)

1)



Surface area = _____

2)

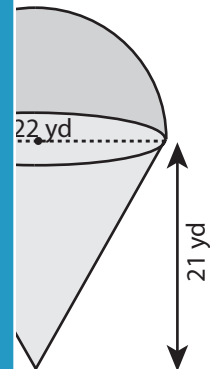


Surface area = _____

3)

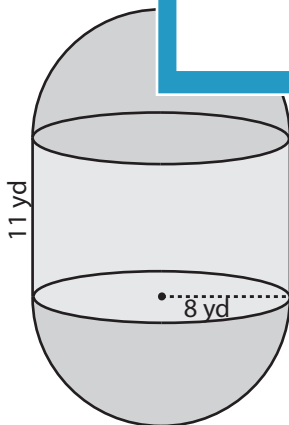


Surface area = _____

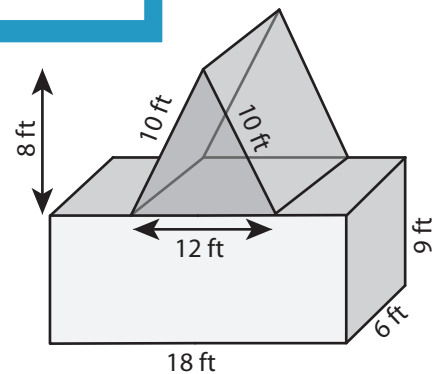


Surface area = _____

5)



Surface area = _____



Surface area = _____

PREVIEW

Access the largest collection of
worksheets for just **\$19.95** per year!

Members, please
log in to
download this
worksheet.

Log in

Not a member?
Please sign up to
gain complete
access.

Sign up

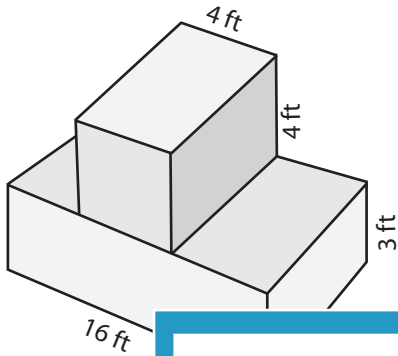
www.mathworksheets4kids.com

Answer key

Surface Area - Compound Shapes

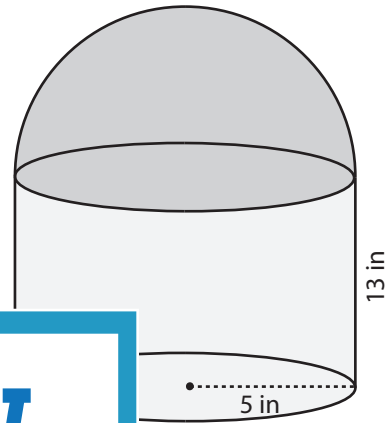
Find the surface area of each figure. Round the answer to two decimal places. (use $\pi = 3.14$)

1)



Surface area = _____

2)

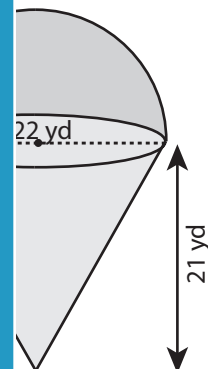


643.7 in²

3)

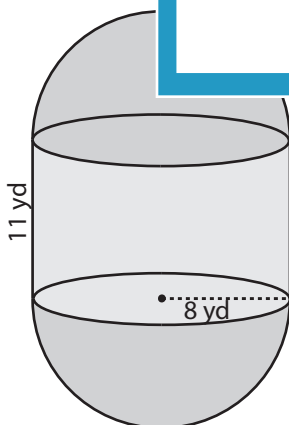


Surface area = _____

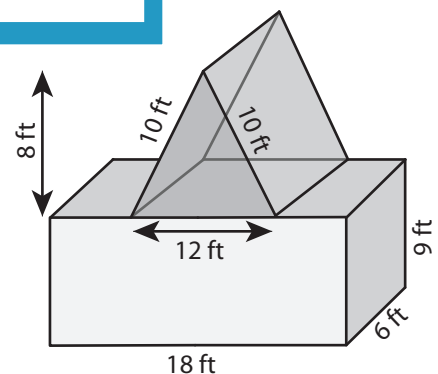


1578.70 yd²

5)



Surface area = **1356.48 yd²**



Surface area = **792 ft²**

PREVIEW

Access the largest collection of worksheets for just **\$19.95** per year!

Members, please log in to download this worksheet.

Log in

Not a member? Please sign up to gain complete access.

Sign up

www.mathworksheets4kids.com