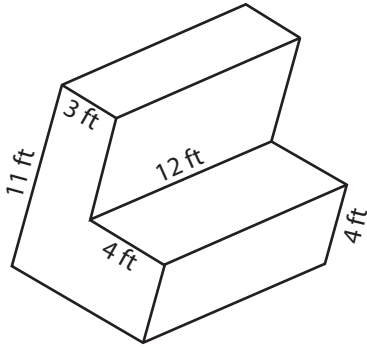


Surface Area - L Blocks

ES1

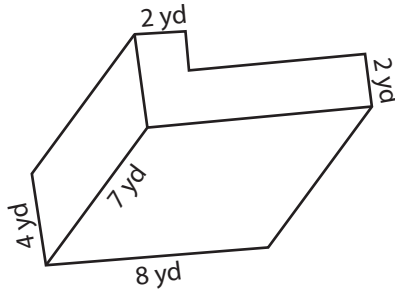
Find the surface area of each L-block.

1)



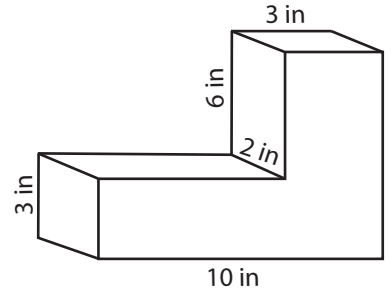
Surface Area = _____

2)



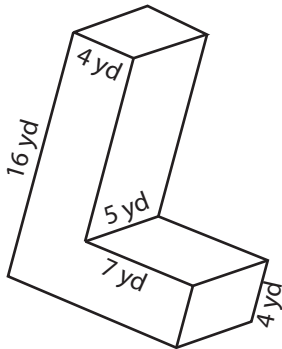
Surface Area = _____

3)



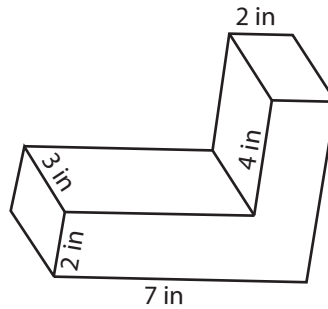
Surface Area = _____

4)



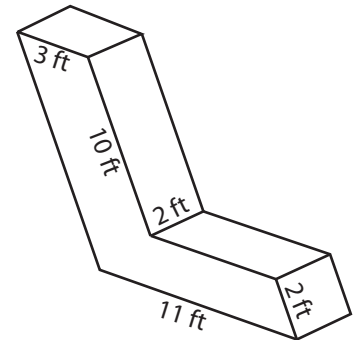
Surface Area = _____

5)



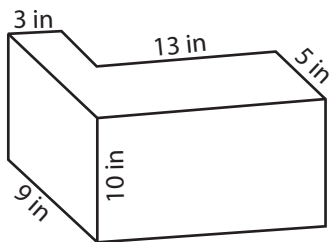
Surface Area = _____

6)



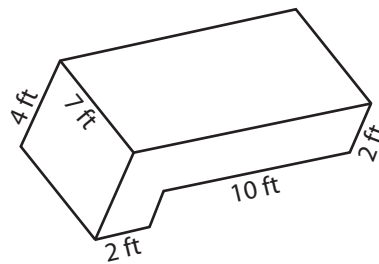
Surface Area = _____

7)



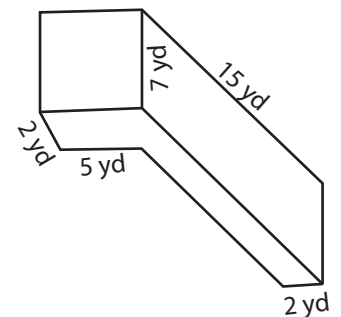
Surface Area = _____

8)



Surface Area = _____

9)



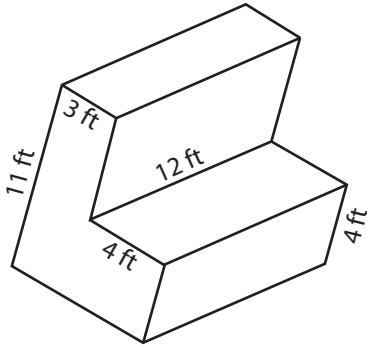
Surface Area = _____

Surface Area - L Blocks

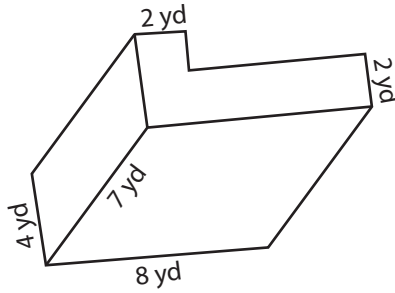
ES1

Find the surface area of each L-block.

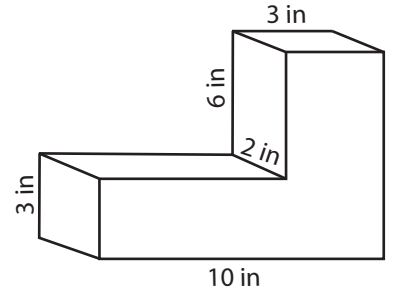
1)

Surface Area = 530 ft²

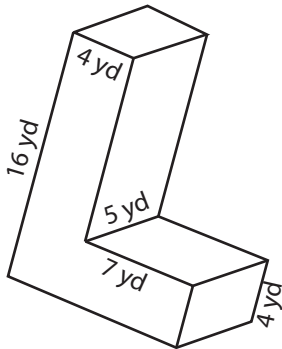
2)

Surface Area = 208 yd²

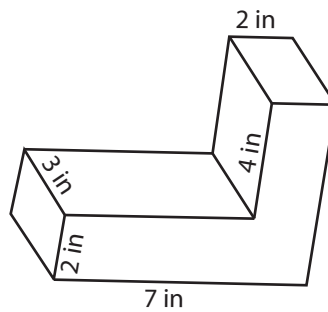
3)

Surface Area = 172 in²

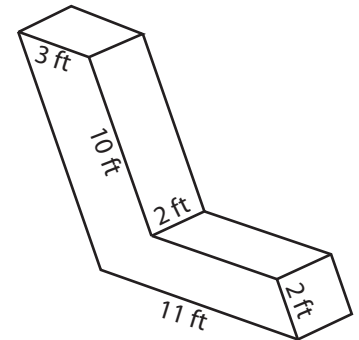
4)

Surface Area = 454 yd²

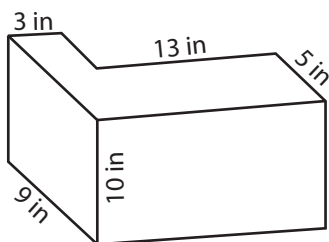
5)

Surface Area = 122 in²

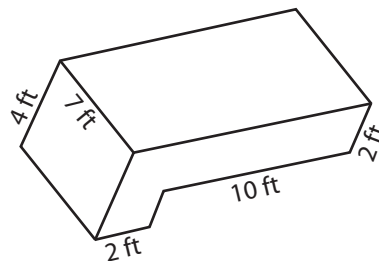
6)

Surface Area = 196 ft²

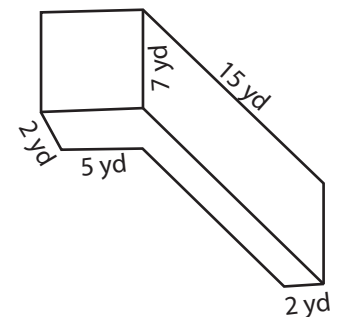
7)

Surface Area = 684 in²

8)

Surface Area = 280 ft²

9)

Surface Area = 374 yd²