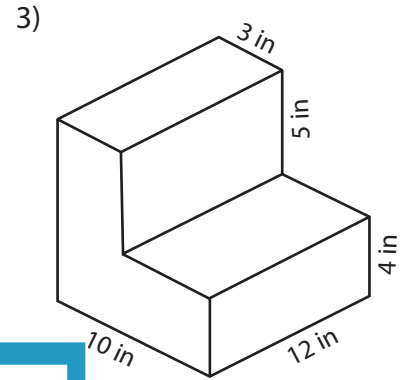
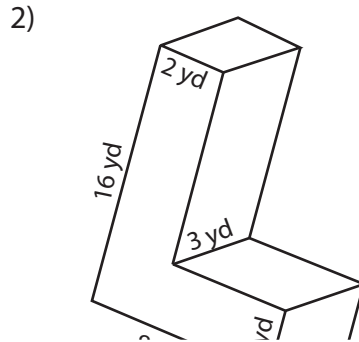
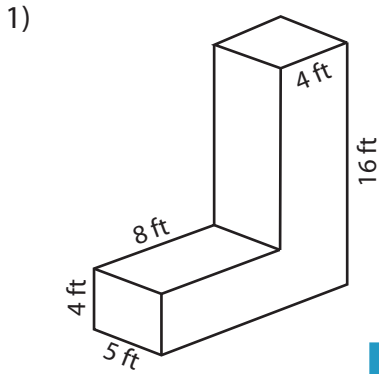


**Surface Area - L Blocks**

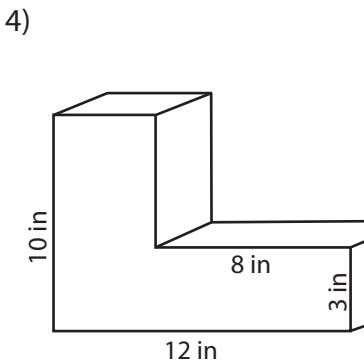
ES2

Find the surface area of each L-block.



Surface Area = \_\_\_\_\_

Surface Area = \_\_\_\_\_



**PREVIEW**

Access the largest collection of  
worksheets for just **\$19.95** per year!

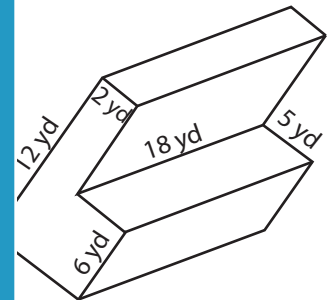
Members, please  
log in to  
download this  
worksheet.

**Log in**

Not a member?  
Please sign up to  
gain complete  
access.

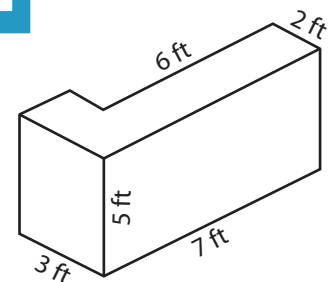
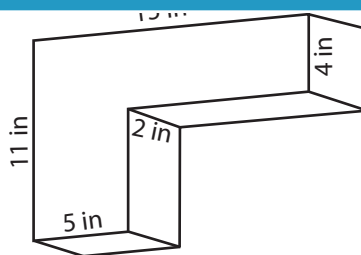
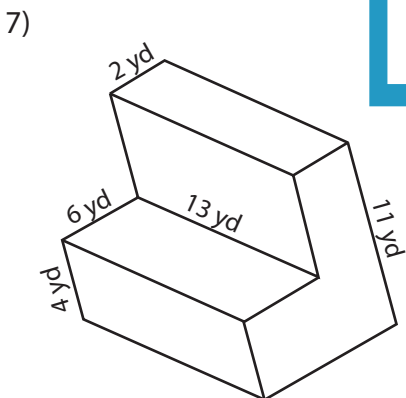
**Sign up**

[www.mathworksheets4kids.com](http://www.mathworksheets4kids.com)



Surface Area = \_\_\_\_\_

Surface Area = \_\_\_\_\_



Surface Area = \_\_\_\_\_

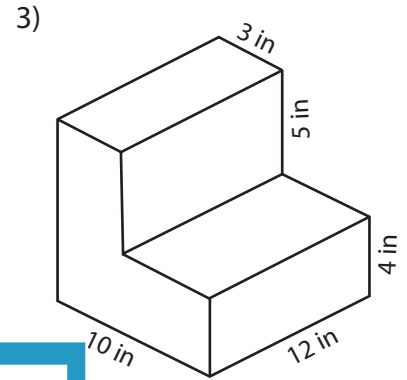
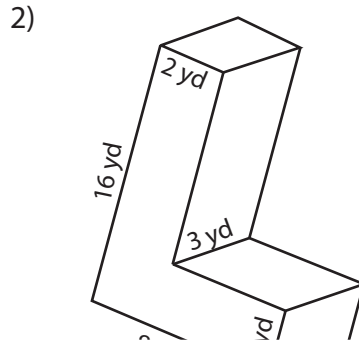
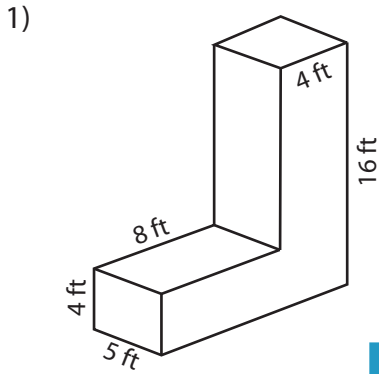
Surface Area = \_\_\_\_\_

Surface Area = \_\_\_\_\_

**Surface Area - L Blocks**

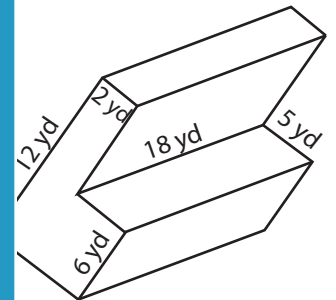
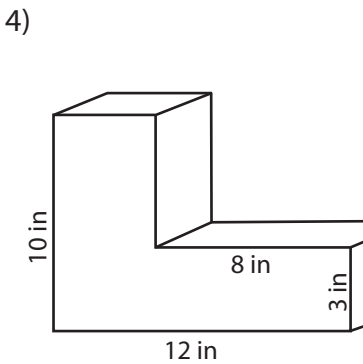
ES2

Find the surface area of each L-block.



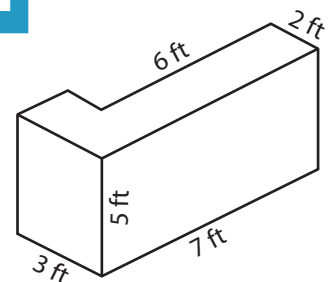
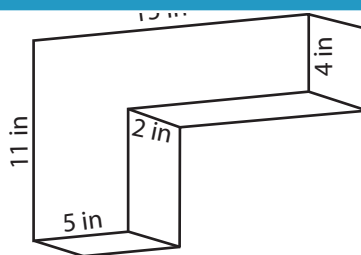
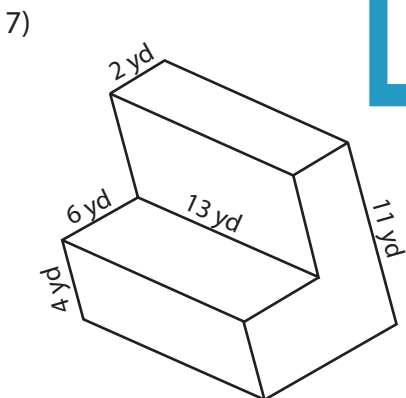
Surface Area = 472 ft<sup>2</sup>

Surface Area = 566 in<sup>2</sup>



Surface Area = 216 in<sup>2</sup>

Surface Area = 792 yd<sup>2</sup>



Surface Area = 586 yd<sup>2</sup>

Surface Area = 294 in<sup>2</sup>

Surface Area = 130 ft<sup>2</sup>

**PREVIEW**

Access the largest collection of  
worksheets for just **\$19.95** per year!

Members, please  
log in to  
download this  
worksheet.

**Log in**

Not a member?  
Please sign up to  
gain complete  
access.

**Sign up**

[www.mathworksheets4kids.com](http://www.mathworksheets4kids.com)