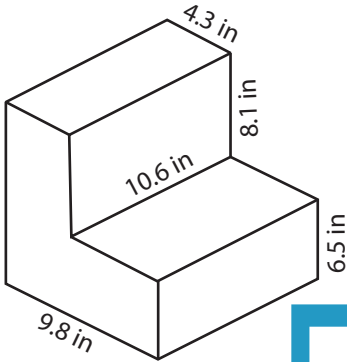


Surface Area - L Blocks

DS1

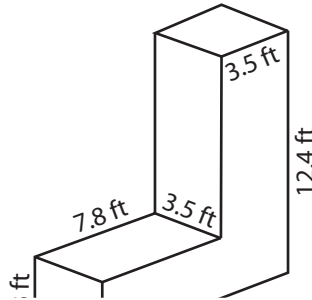
Find the surface area of each L-block.

1)

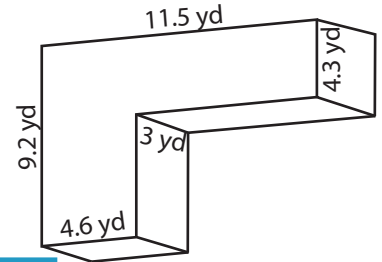


Surface Area = _____

2)

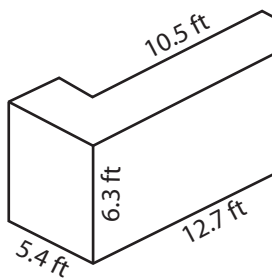


3)

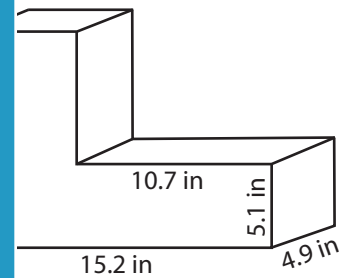


Surface Area = _____

4)

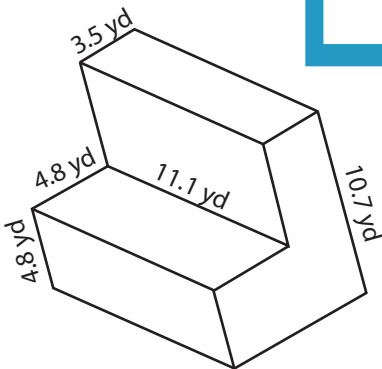


Surface Area = _____

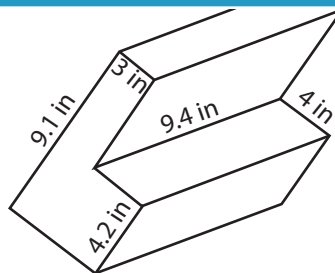


Surface Area = _____

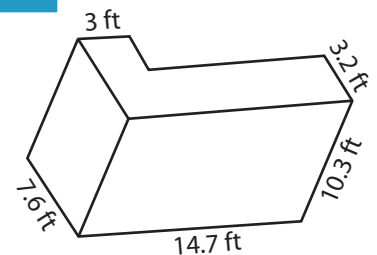
7)



Surface Area = _____



Surface Area = _____



Surface Area = _____

PREVIEW

Access the largest collection of worksheets for just **\$19.95** per year!

Members, please log in to download this worksheet.

Log in

Not a member? Please sign up to gain complete access.

Sign up

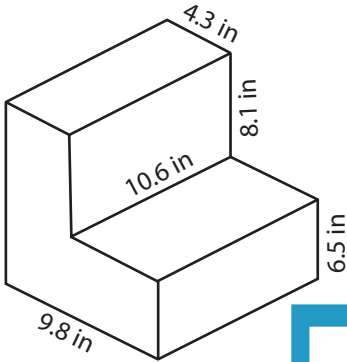
www.mathworksheets4kids.com

Surface Area - L Blocks

DS1

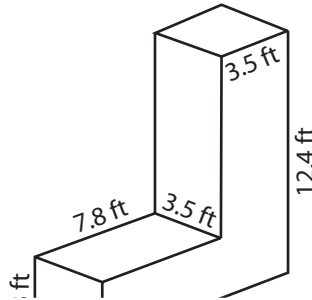
Find the surface area of each L-block.

1)

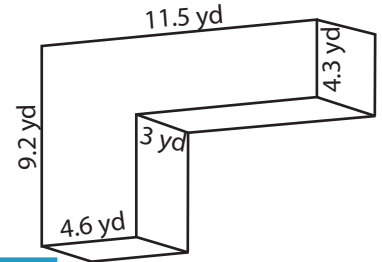


Surface Area = 714.34 in²

2)

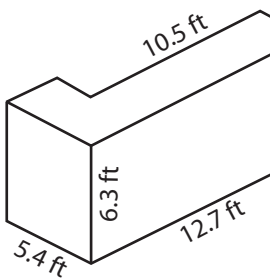


3)

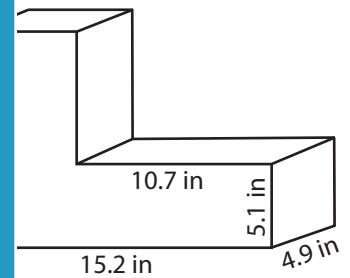


Surface Area = 268.18 yd²

4)

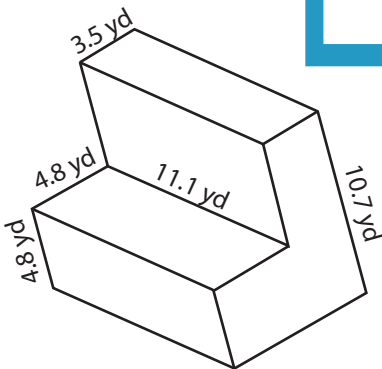


Surface Area = 314.82 ft²

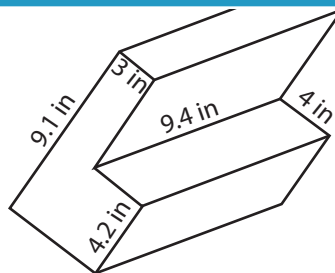


Surface Area = 508.14 in²

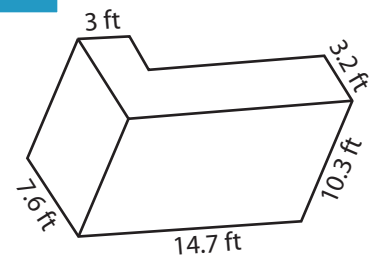
7)



Surface Area = 542.78 yd²



Surface Area = 390.88 in²



Surface Area = 579.86 ft²

PREVIEW

Access the largest collection of worksheets for just **\$19.95** per year!

Members, please log in to download this worksheet.

Log in

Not a member? Please sign up to gain complete access.

Sign up

www.mathworksheets4kids.com