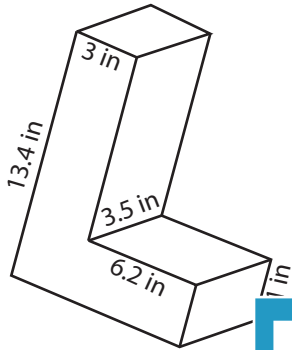


Surface Area - L Blocks

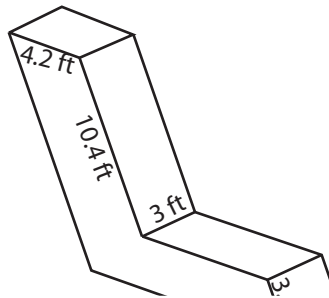
DS2

Find the surface area of each L-block.

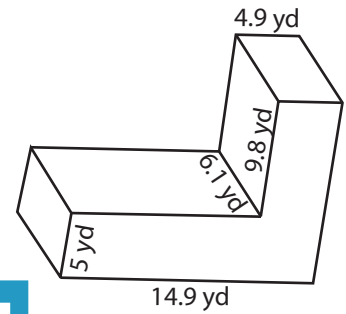
1)



2)



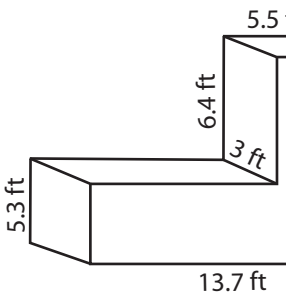
3)



Surface Area = _____

Surface Area = _____

4)



Access the largest collection of worksheets for just **\$19.95** per year!

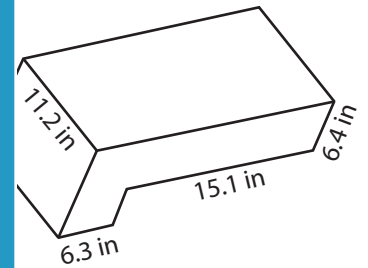
Members, please log in to download this worksheet.

Not a member? Please sign up to gain complete access.

Log in

Sign up

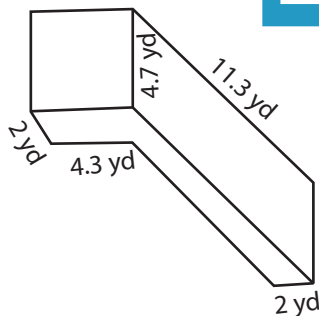
www.mathworksheets4kids.com



Surface Area = _____

Surface Area = _____

7)



Surface Area = _____

Surface Area = _____

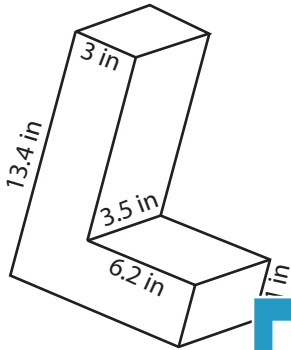
Surface Area = _____

Surface Area - L Blocks

DS2

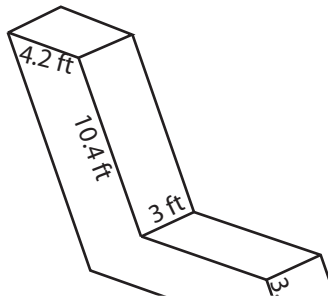
Find the surface area of each L-block.

1)



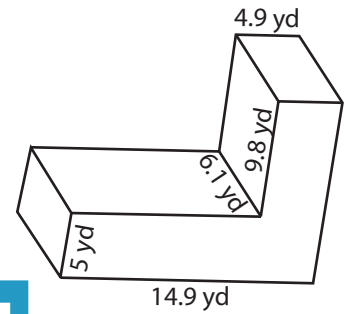
Surface Area = 277.04 in²

2)



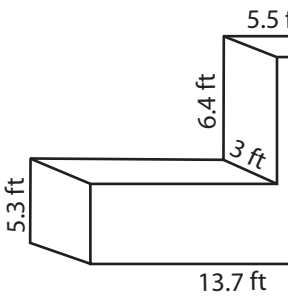
Surface Area = 277.04 in²

3)



Surface Area = 607.38 yd²

4)



Surface Area = 368.02 ft²

Access the largest collection of worksheets for just **\$19.95** per year!

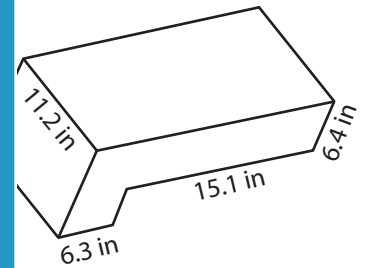
Members, please log in to download this worksheet.

Log in

Not a member? Please sign up to gain complete access.

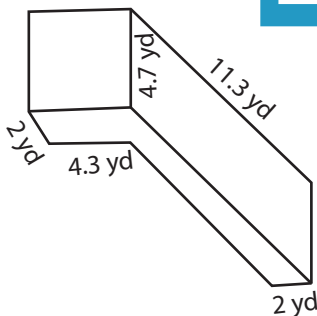
Sign up

www.mathworksheets4kids.com

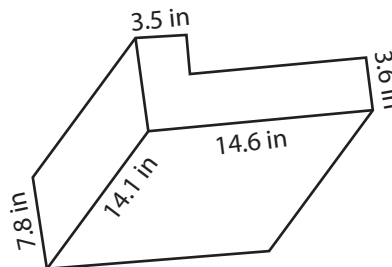


Surface Area = 977.14 in²

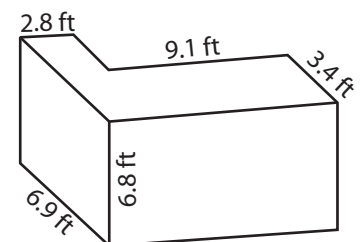
7)



Surface Area = 210.44 yd²



Surface Area = 766.2 in²



Surface Area = 356.2 ft²