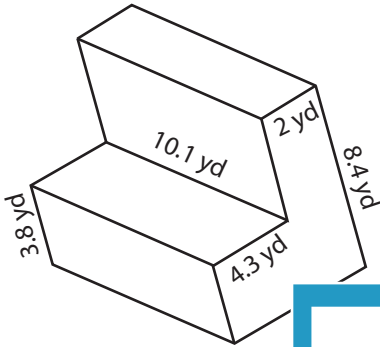


Surface Area - L Blocks

DS3

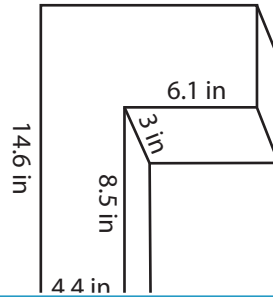
Find the surface area of each L-block.

1)



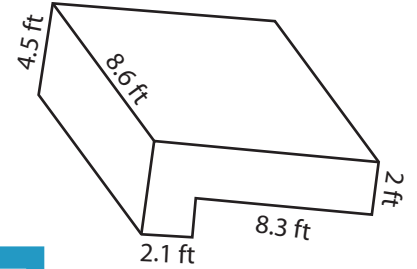
Surface Area = _____

2)



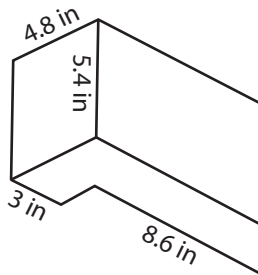
Surface Area = _____

3)

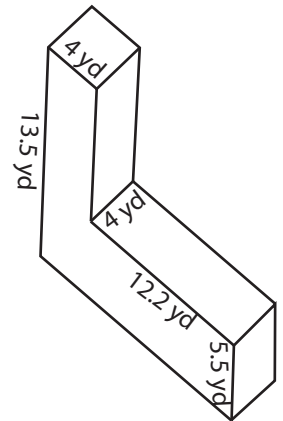


Surface Area = _____

4)

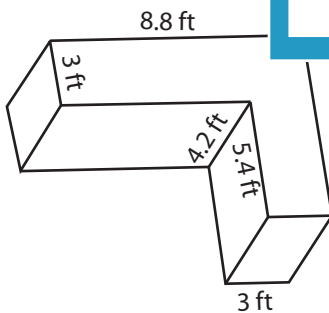


Surface Area = _____

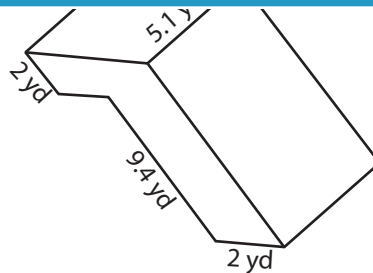


Surface Area = _____

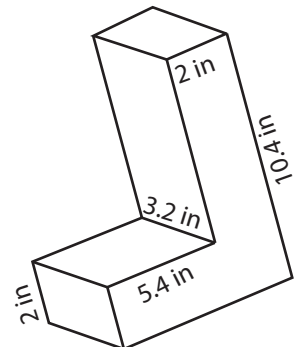
7)



Surface Area = _____



Surface Area = _____



Surface Area = _____

PREVIEW

Access the largest collection of worksheets for just **\$19.95** per year!

Members, please log in to download this worksheet.

Log in

Not a member? Please sign up to gain complete access.

Sign up

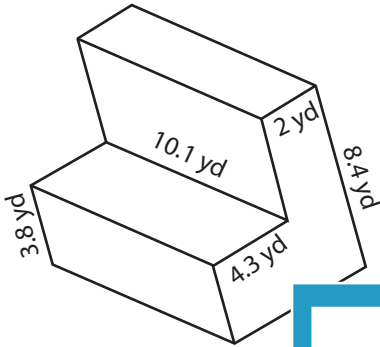
www.mathworksheets4kids.com

Surface Area - L Blocks

DS3

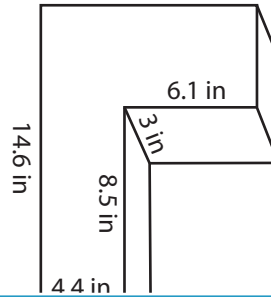
Find the surface area of each L-block.

1)

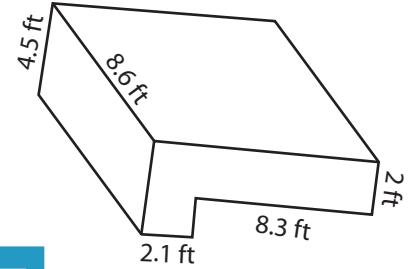


Surface Area = 363.22 yd²

2)

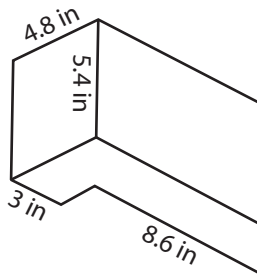


3)

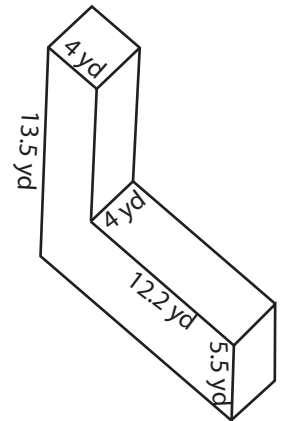


Surface Area = 308.38 ft²

4)

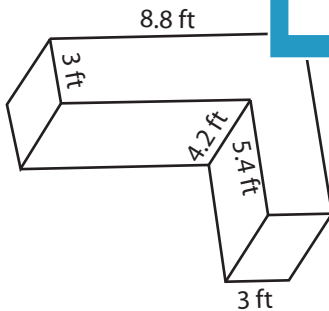


Surface Area = 257.52 in²

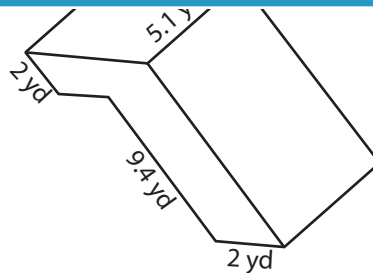


Surface Area = 479.8 yd²

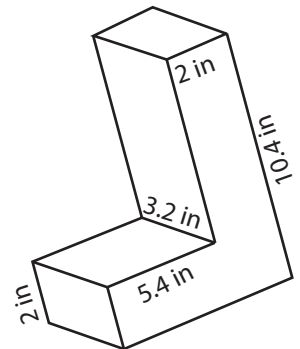
7)



Surface Area = 232.68 ft²



Surface Area = 219.2 yd²



Surface Area = 177.12 in²

PREVIEW

Access the largest collection of worksheets for just **\$19.95** per year!

Members, please log in to download this worksheet.

Log in

Not a member? Please sign up to gain complete access.

Sign up

www.mathworksheets4kids.com