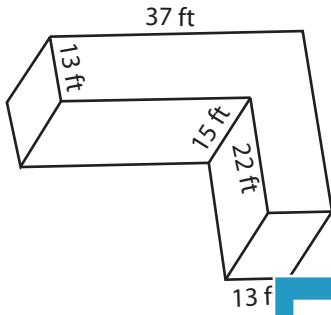


Surface Area - L Blocks

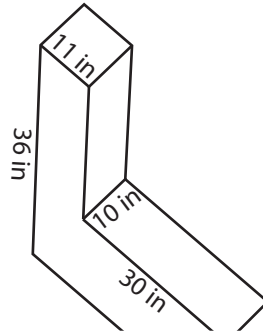
MS2

Find the surface area of each L-block.

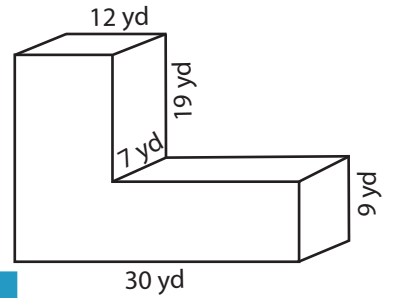
1)



2)



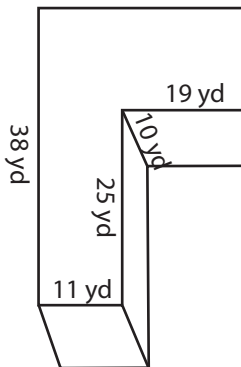
3)



Surface Area = _____

Surface Area = _____

4)



Access the largest collection of worksheets for just **\$19.95** per year!

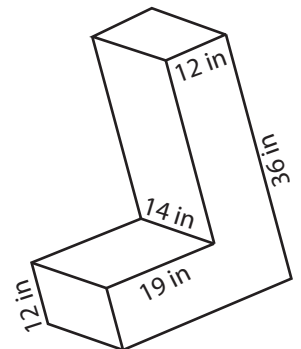
Members, please log in to download this worksheet.

Not a member? Please sign up to gain complete access.

Log in

Sign up

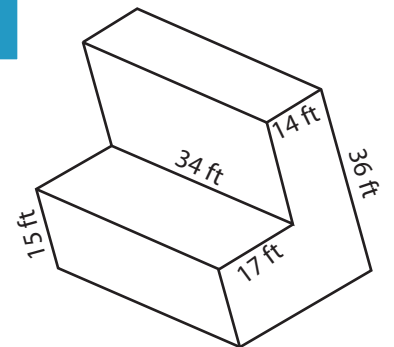
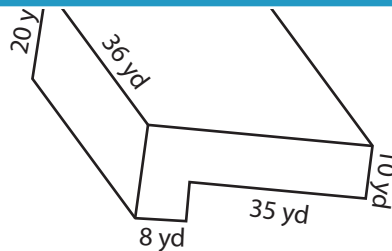
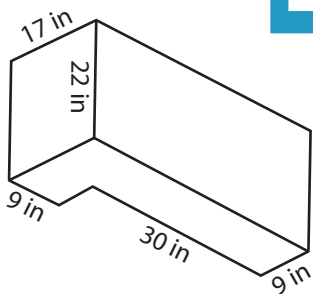
www.mathworksheets4kids.com



Surface Area = _____

Surface Area = _____

7)



Surface Area = _____

Surface Area = _____

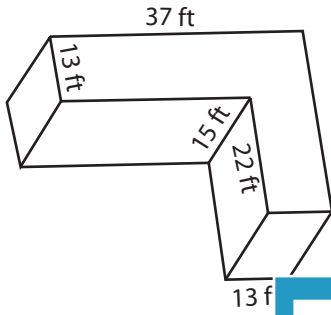
Surface Area = _____

Surface Area - L Blocks

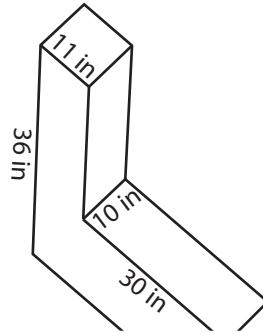
MS2

Find the surface area of each L-block.

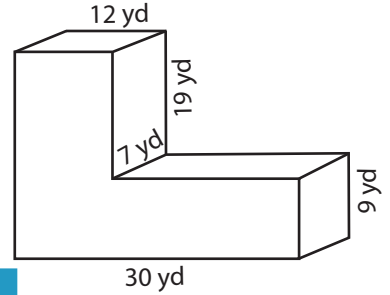
1)



2)



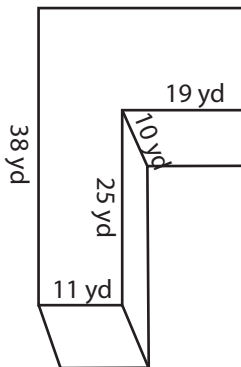
3)



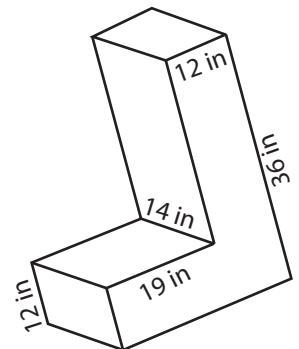
Surface Area = **3694 ft²**

Surface Area = **1808 yd²**

4)

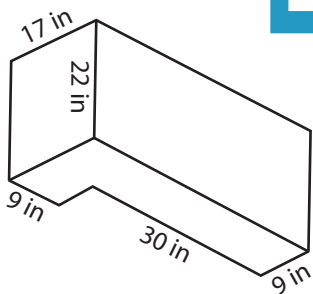


Surface Area = **2978 yd²**

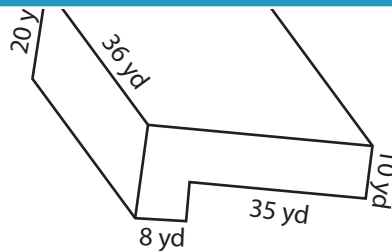


Surface Area = **3196 in²**

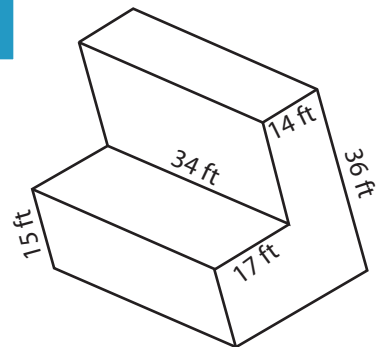
7)



Surface Area = **3310 in²**



Surface Area = **5556 yd²**



Surface Area = **6074 ft²**

PREVIEW

Access the largest collection of worksheets for just **\$19.95** per year!

Members, please log in to download this worksheet.

Log in

Not a member? Please sign up to gain complete access.

Sign up

www.mathworksheets4kids.com