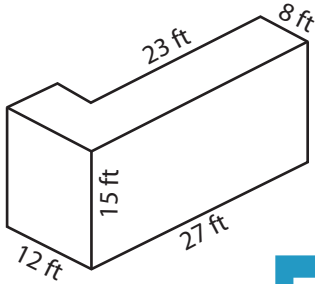


Surface Area - L Blocks

MS3

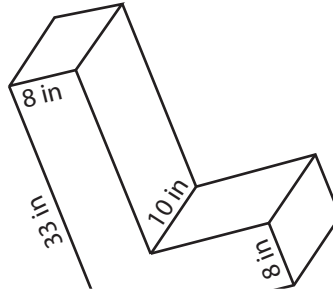
Find the surface area of each L-block.

1)

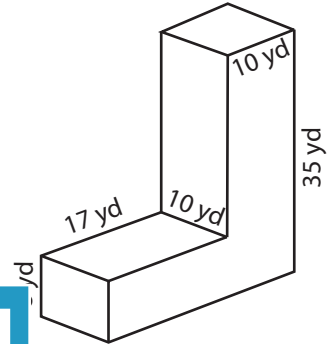


Surface Area = _____

2)

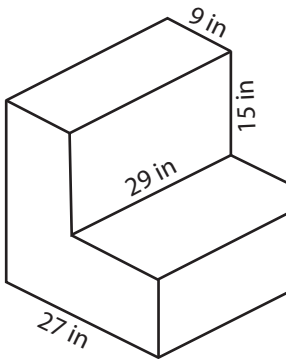


3)

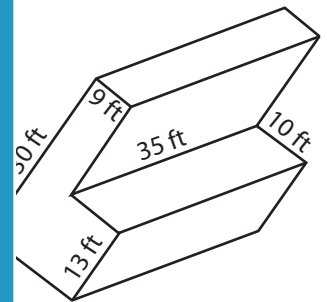


Surface Area = _____

4)

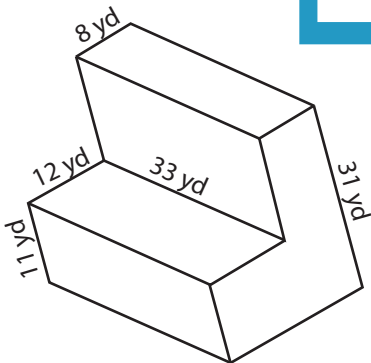


Surface Area = _____

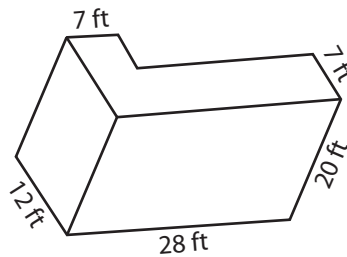


Surface Area = _____

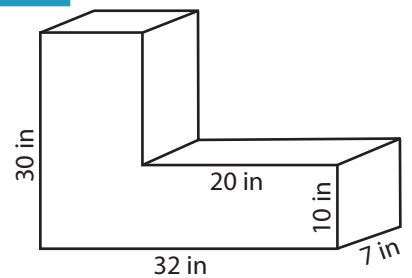
7)



Surface Area = _____



Surface Area = _____



Surface Area = _____

PREVIEW

Access the largest collection of worksheets for just **\$19.95** per year!

Members, please log in to download this worksheet.

Log in

Not a member? Please sign up to gain complete access.

Sign up

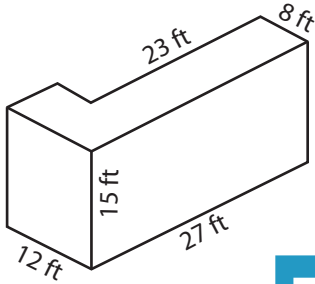
www.mathworksheets4kids.com

Surface Area - L Blocks

MS3

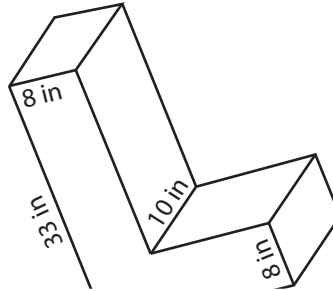
Find the surface area of each L-block.

1)

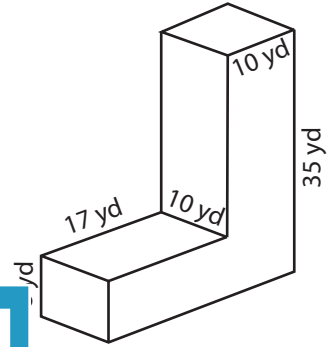


Surface Area = **1634 ft²**

2)

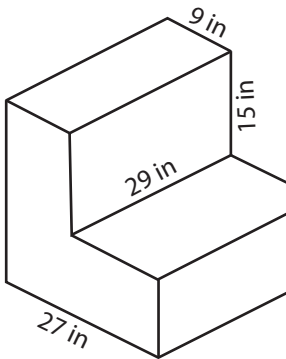


3)



Surface Area = **2212 yd²**

4)



Surface Area = **3938 in²**

Access the largest collection of worksheets for just **\$19.95** per year!

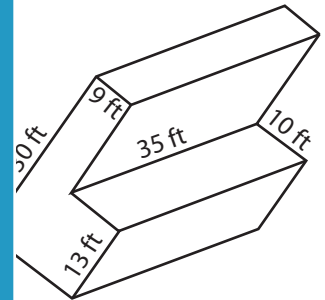
Members, please log in to download this worksheet.

Log in

Not a member? Please sign up to gain complete access.

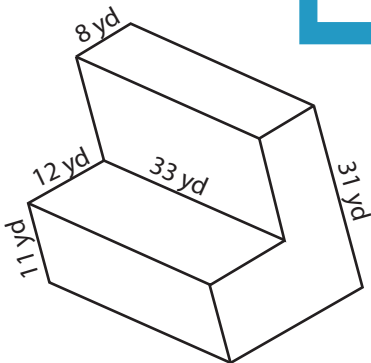
Sign up

www.mathworksheets4kids.com

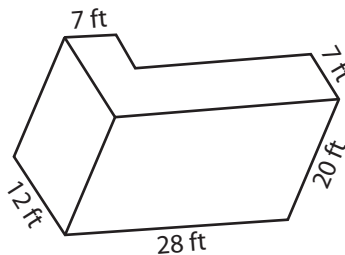


Surface Area = **4230 ft²**

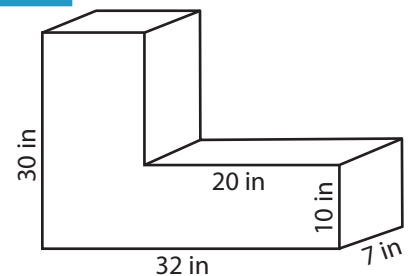
7)



Surface Area = **4126 yd²**



Surface Area = **2062 ft²**



Surface Area = **1988 in²**