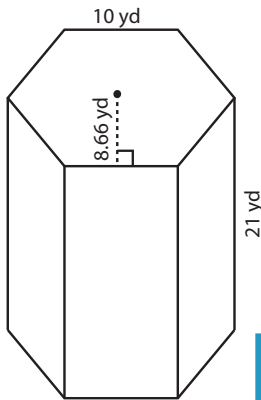


Surface Area - Polygonal Prism

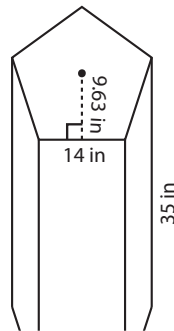
Find the surface area of each regular polygonal prism.

1)



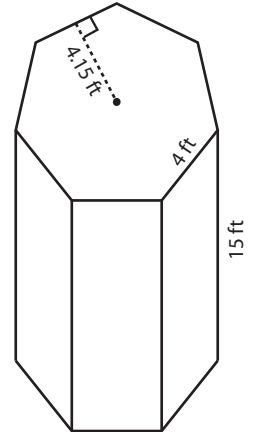
Surface Area = _____

2)



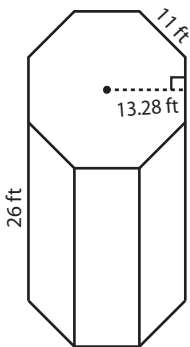
Surface Area = _____

3)



Surface Area = _____

4)



Surface Area = _____

Access the largest collection of worksheets for just **\$19.95** per year!

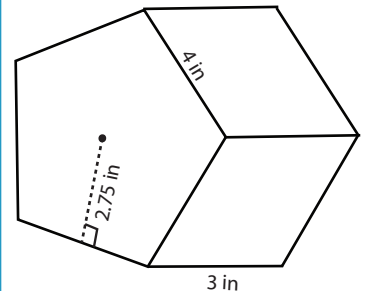
Members, please log in to download this worksheet.

Log in

Not a member? Please sign up to gain complete access.

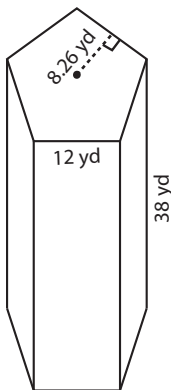
Sign up

www.mathworksheets4kids.com

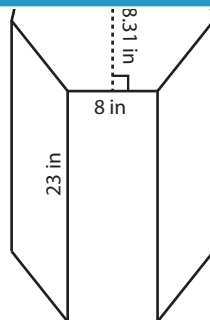


Surface Area = _____

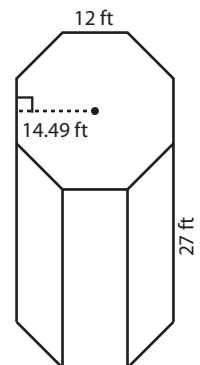
7)



Surface Area = _____



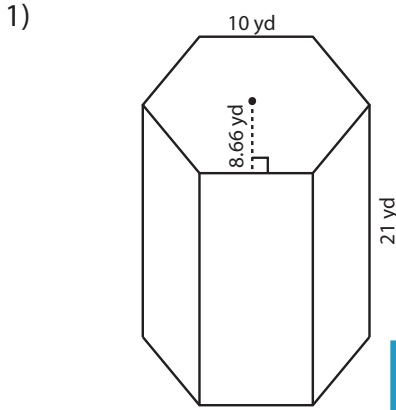
Surface Area = _____



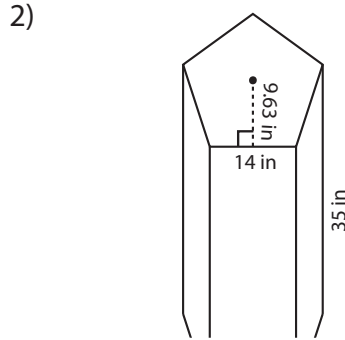
Surface Area = _____

Surface Area - Polygonal Prism

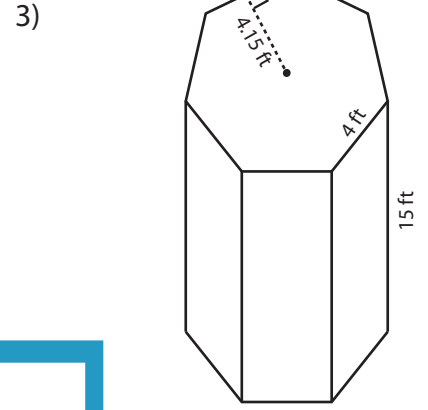
Find the surface area of each regular polygonal prism.



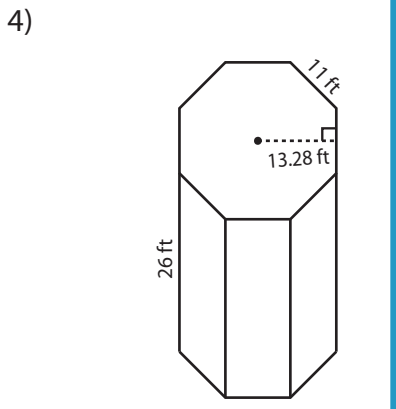
Surface Area = 1779.6 yd



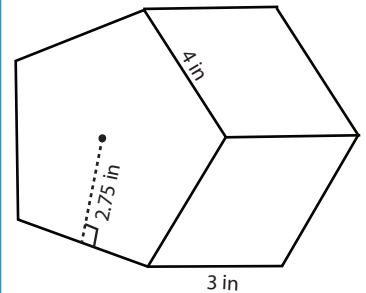
Surface Area = _____



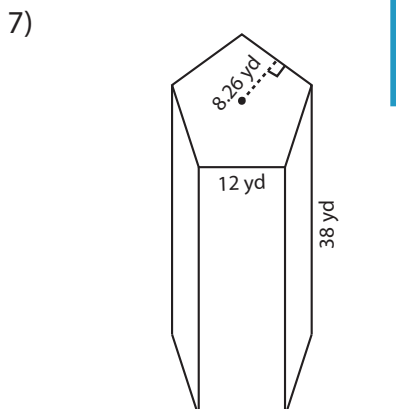
Surface Area = 536.2 ft²



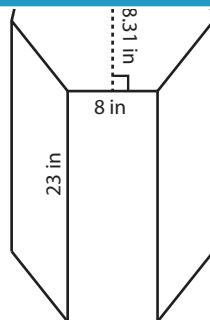
Surface Area = 3456.64 f



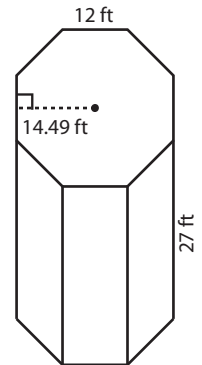
Surface Area = 115 in²



Surface Area = 2775.6 yd²



Surface Area = 1753.36 in²



Surface Area = 3983.04 ft²

PREVIEW

Access the largest collection of worksheets for just **\$19.95** per year!

Members, please log in to download this worksheet.

Log in

Not a member? Please sign up to gain complete access.

Sign up

www.mathworksheets4kids.com