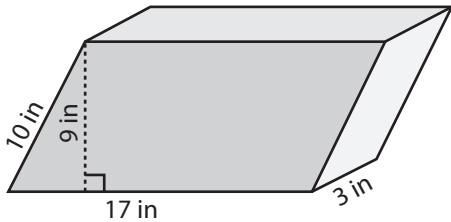


Surface Area: Prisms & Cylinders

L2ES2

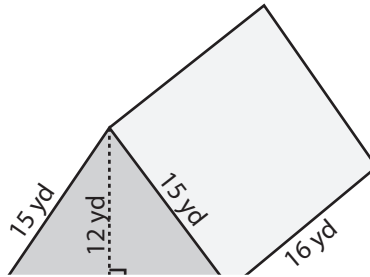
Find the exact surface area of each shape.

1)



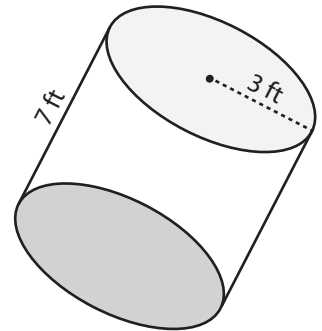
Surface Area = _____

2)

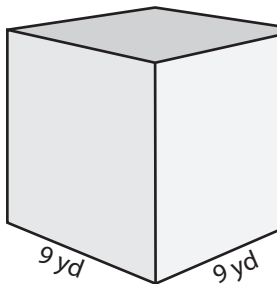


face Area = _____

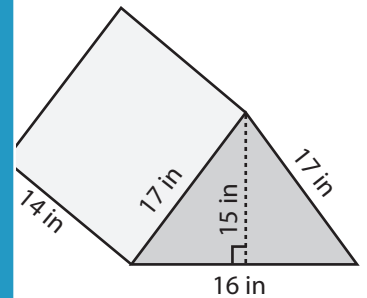
3)



4)

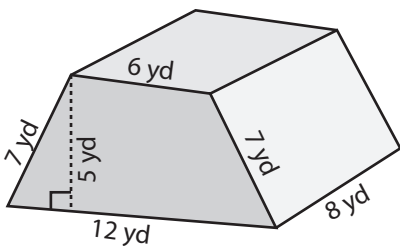


Surface Area = _____

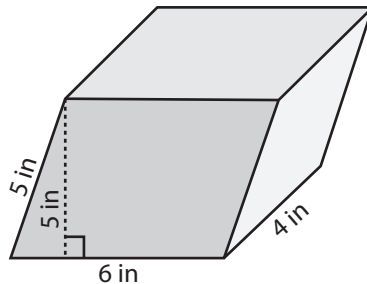


face Area = _____

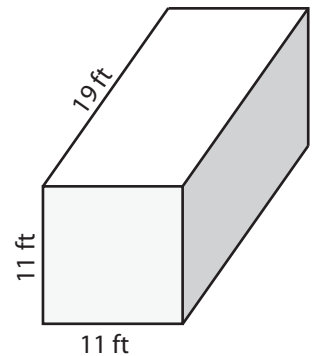
7)



Surface Area = _____



Surface Area = _____



Surface Area = _____

PREVIEW

Access the largest collection of
worksheets for just **\$19.95** per year!

Members, please
log in to
download this
worksheet.

Log in

Not a member?
Please sign up to
gain complete
access.

Sign up

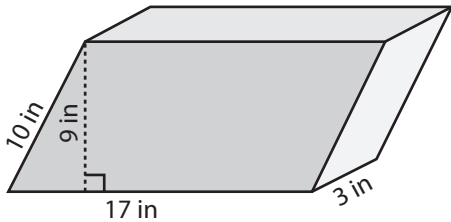
www.mathworksheets4kids.com

Surface Area: Prisms & Cylinders

L2ES2

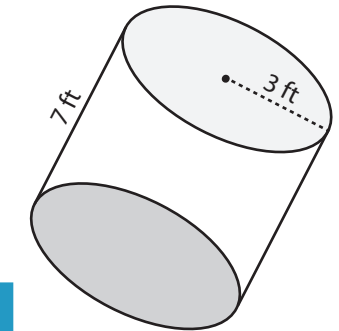
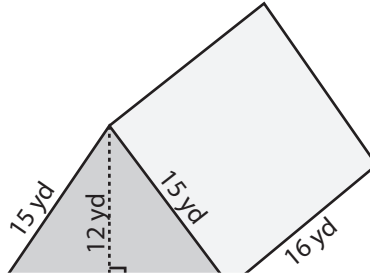
Find the exact surface area of each shape.

1)



Surface Area = 468 in²

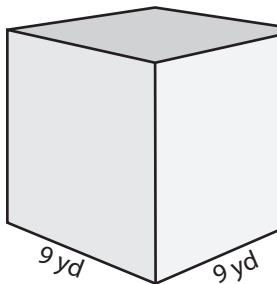
2)



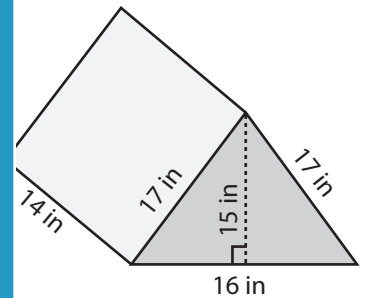
Surface Area = $60\pi \text{ ft}^2$

3)

4)

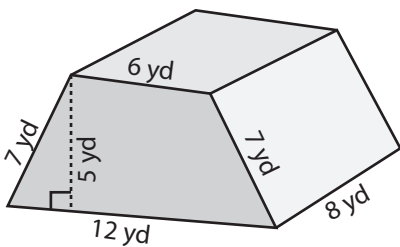


Surface Area = 486 yd²

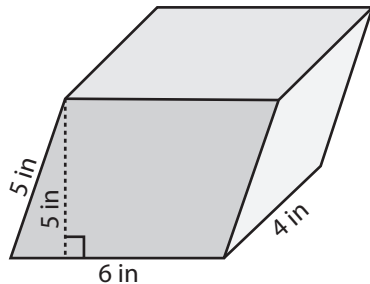


Surface Area = 940 in²

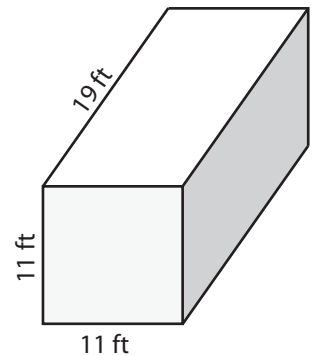
7)



Surface Area = 346 yd²



Surface Area = 148 in²



Surface Area = 1078 ft²

PREVIEW

Access the largest collection of worksheets for just **\$19.95** per year!

Members, please log in to download this worksheet.

Log in

Not a member? Please sign up to gain complete access.

Sign up

www.mathworksheets4kids.com