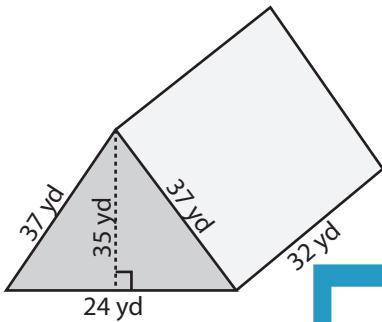


Surface Area: Prisms & Cylinders

L2MS1

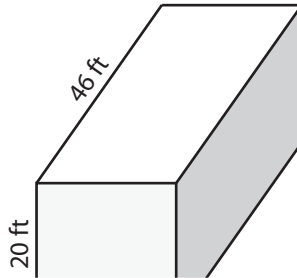
Find the surface area of each shape. (use $\pi = 3.14$)

1)



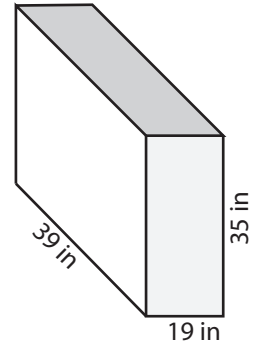
Surface Area = _____

2)

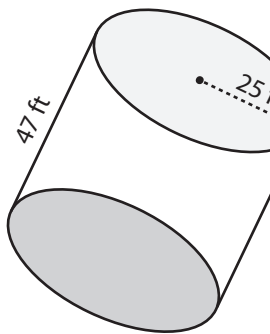


Surface Area = _____

3)



4)



Surface Area = _____

PREVIEW

Access the largest collection of
worksheets for just **\$19.95** per year!

Members, please
log in to
download this
worksheet.

Log in

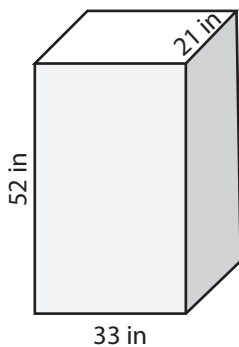
Not a member?
Please sign up to
gain complete
access.

Sign up

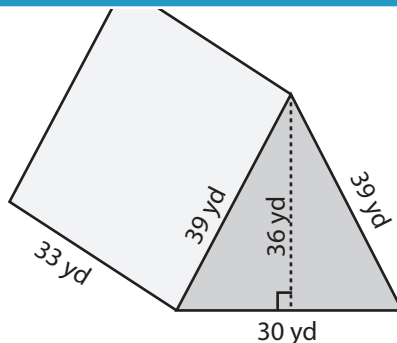
www.mathworksheets4kids.com

Surface Area = _____

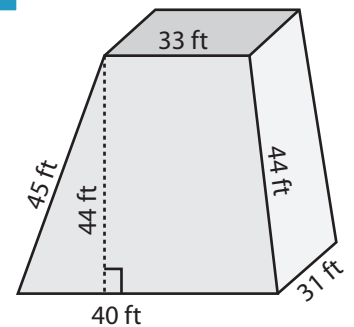
7)



Surface Area = _____



Surface Area = _____

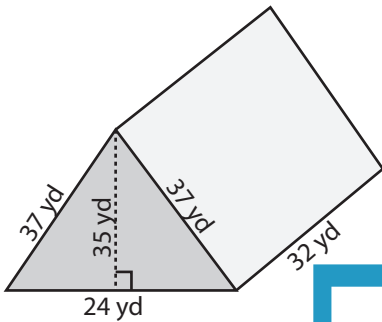


Surface Area = _____

Surface Area: Prisms & Cylinders

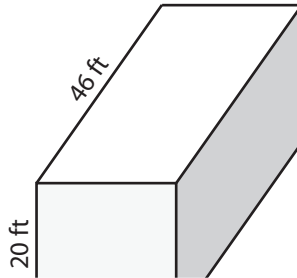
Find the surface area of each shape. (use $\pi = 3.14$)

1)



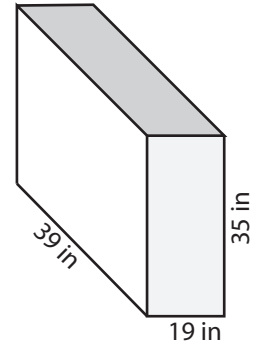
Surface Area = 3976 yd²

2)

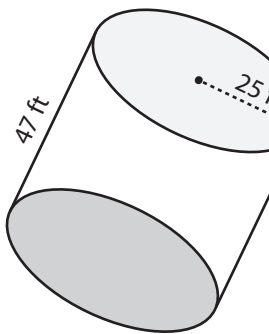


Surface Area = 5542 in²

3)



4)



Surface Area = 11304 ft²

Access the largest collection of worksheets for just **\$19.95** per year!

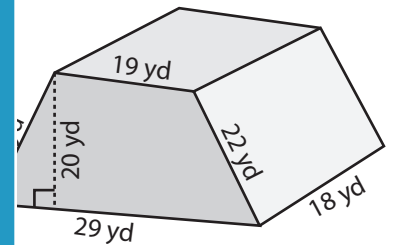
Members, please log in to download this worksheet.

Log in

Not a member? Please sign up to gain complete access.

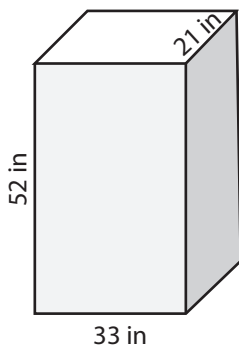
Sign up

www.mathworksheets4kids.com

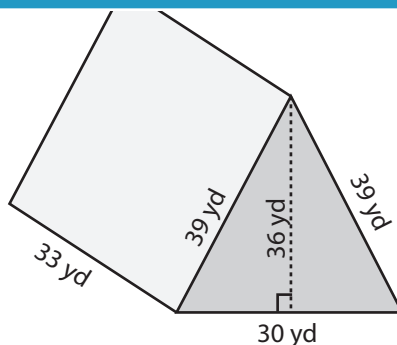


Surface Area = 2598 yd²

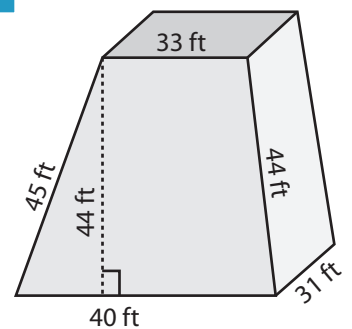
7)



Surface Area = 7002 in²



Surface Area = 4644 yd²



Surface Area = 8234 ft²