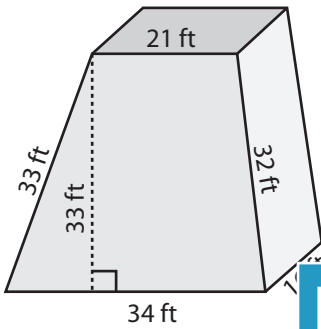


Surface Area: Prisms & Cylinders

L2MS2

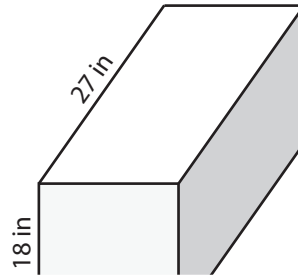
Find the surface area of each shape. (use $\pi = 3.14$)

1)

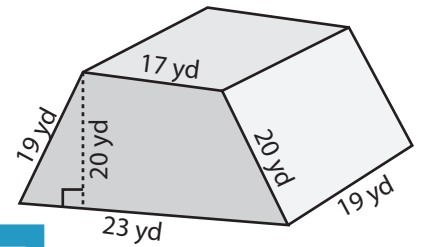


Surface Area = _____

2)

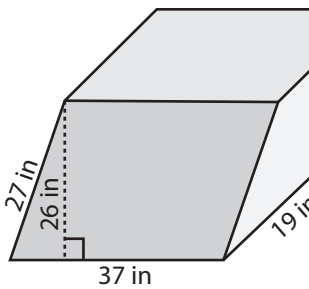


3)



face Area = _____

4)



Surface Area = _____

PREVIEW

Access the largest collection of
worksheets for just **\$19.95** per year!

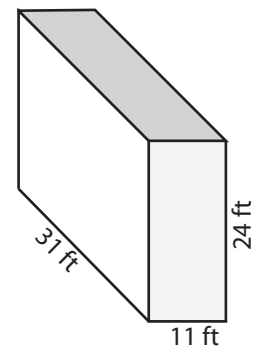
Members, please
log in to
download this
worksheet.

Log in

Not a member?
Please sign up to
gain complete
access.

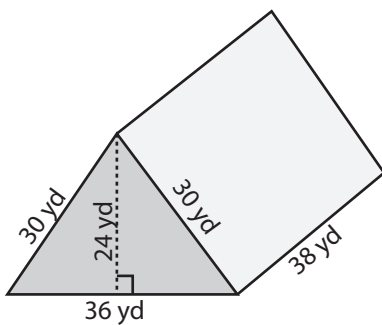
Sign up

www.mathworksheets4kids.com

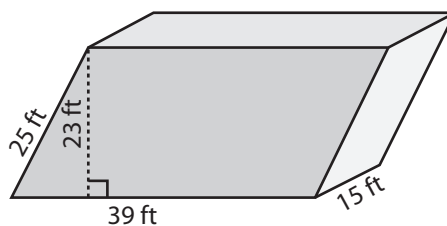


face Area = _____

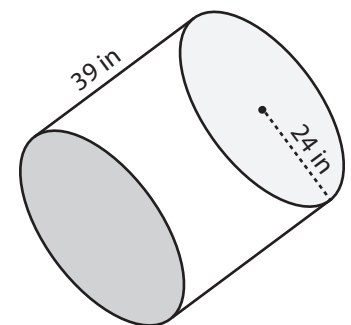
7)



Surface Area = _____



Surface Area = _____



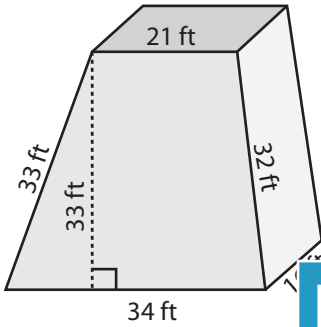
Surface Area = _____

Surface Area: Prisms & Cylinders

L2MS2

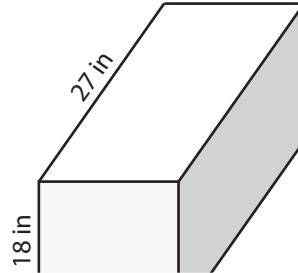
Find the surface area of each shape. (use $\pi = 3.14$)

1)

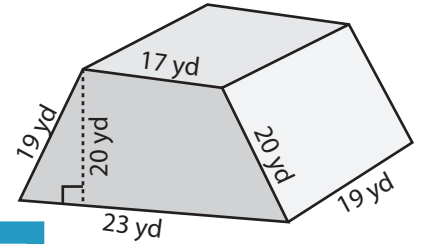


Surface Area = 3735

2)

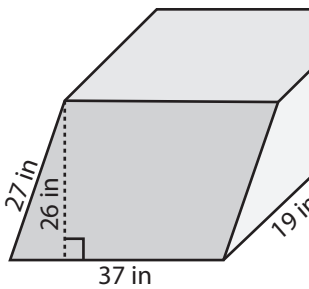


3)



face Area = 2301 yd²

4)



Surface Area = 4356

PREVIEW

Access the largest collection of
worksheets for just **\$19.95** per year!

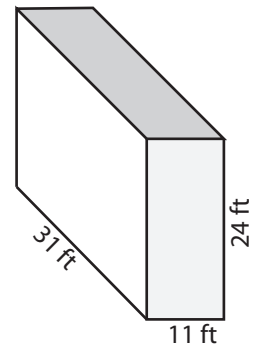
Members, please
log in to
download this
worksheet.

Log in

Not a member?
Please sign up to
gain complete
access.

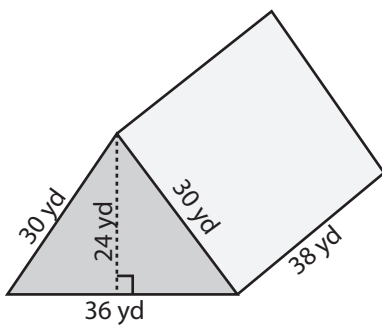
Sign up

www.mathworksheets4kids.com

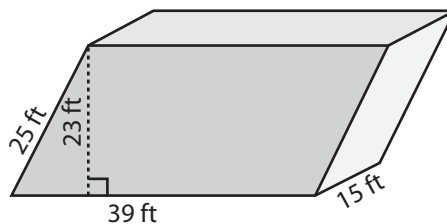


face Area = 2698 ft²

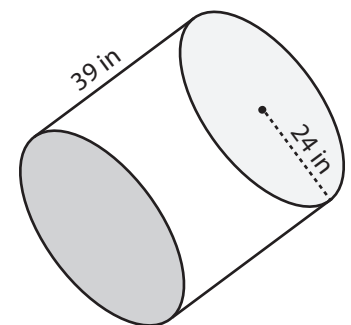
7)



Surface Area = 4512 yd²



Surface Area = 3714 ft²



Surface Area = 9495.36 in²