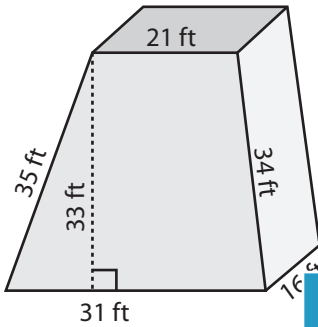


Surface Area: Prisms & Cylinders

L2MS3

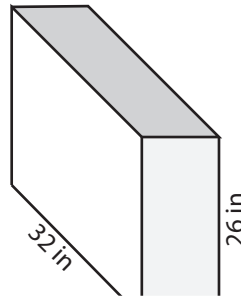
Find the surface area of each shape. (use $\pi = 3.14$)

1)



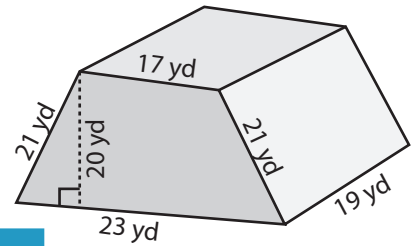
Surface Area = _____

2)

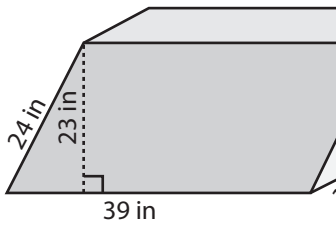


face Area = _____

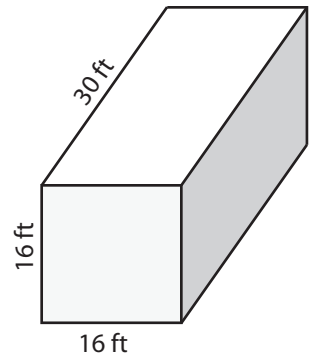
3)



4)

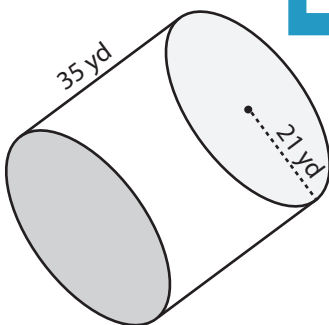


Surface Area = _____

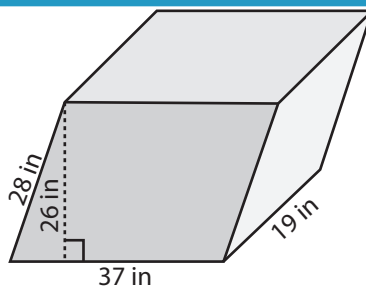


face Area = _____

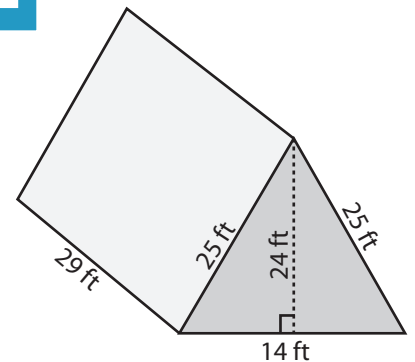
7)



Surface Area = _____



Surface Area = _____



Surface Area = _____

PREVIEW

Access the largest collection of worksheets for just **\$19.95** per year!

Members, please log in to download this worksheet.

Log in

Not a member? Please sign up to gain complete access.

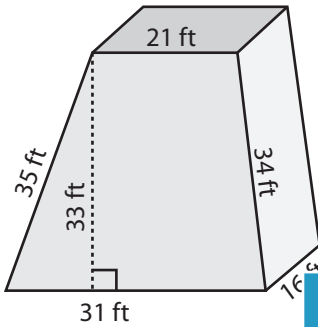
Sign up

www.mathworksheets4kids.com

Surface Area: Prisms & Cylinders

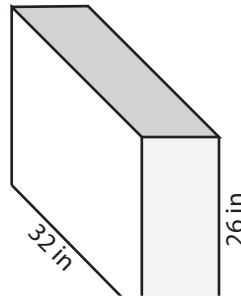
Find the surface area of each shape. (use $\pi=3.14$)

1)

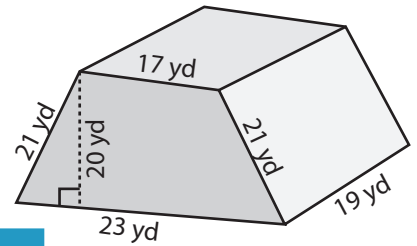


Surface Area = 3652

2)

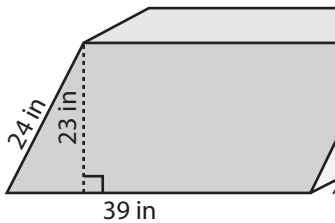


3)

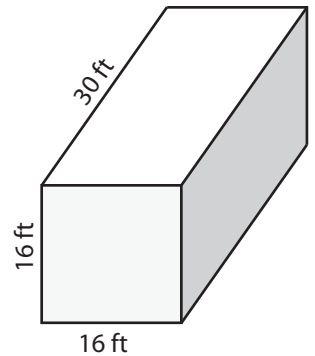


face Area = 2358 yd²

4)

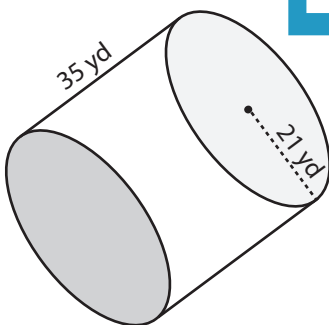


Surface Area = 3684

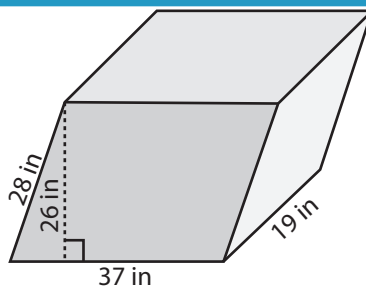


face Area = 2432 ft²

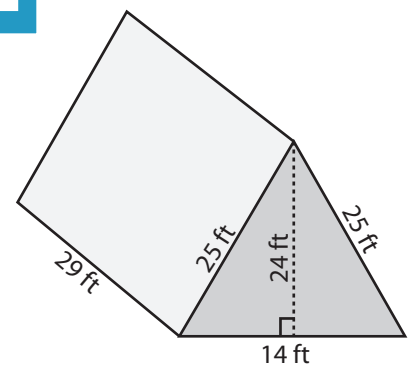
7)



Surface Area = 7385.28 yd²



Surface Area = 4394 in²



Surface Area = 2192 ft²

PREVIEW

Access the largest collection of worksheets for just **\$19.95** per year!

Members, please log in to download this worksheet.

Log in

Not a member? Please sign up to gain complete access.

Sign up

www.mathworksheets4kids.com