

Name : _____

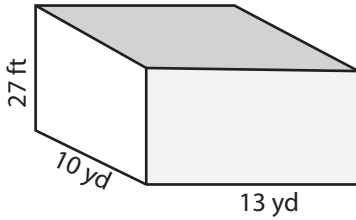
Score : _____

Surface Area - Rectangular Prism

CS1

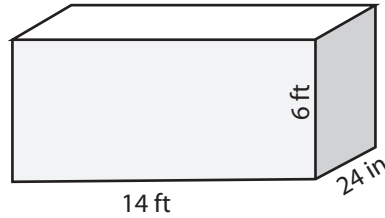
Find the surface area of each rectangular prism.

1)



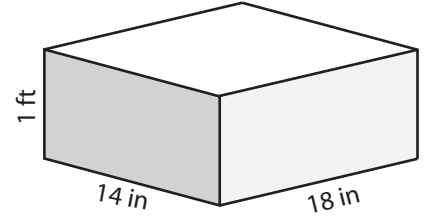
Surface Area = _____ yd²

2)



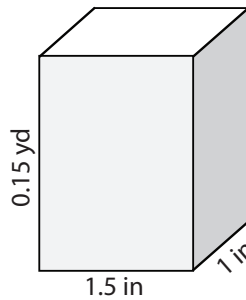
Surface Area = _____ ft²

3)

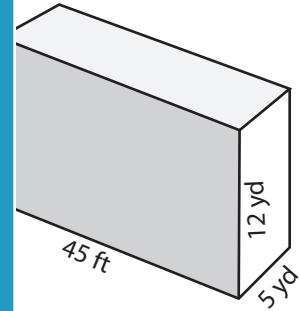


Surface Area = _____ in²

4)

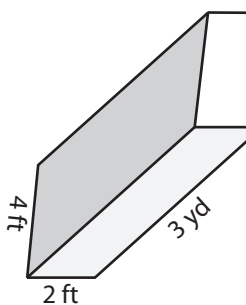


Surface Area = _____



Surface Area = _____ yd²

7)



Surface Area = _____ ft²

Surface Area = _____ in²

Surface Area = _____ yd²

PREVIEW

Access the largest collection of
worksheets for just **\$19.95** per year!

Members, please
log in to
download this
worksheet.
Log in

Not a member?
Please sign up to
gain complete
access.
Sign up

www.mathworksheets4kids.com

10) Find the area of cardboard required to make a box of 9.5 inches long, a foot wide and 4 inches height.

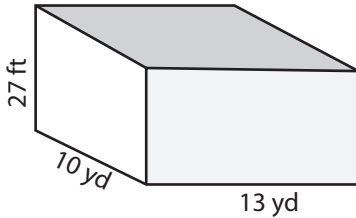
Surface Area = _____ in²

Surface Area - Rectangular Prism

CS1

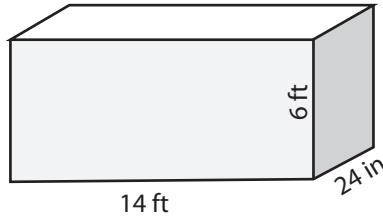
Find the surface area of each rectangular prism.

1)



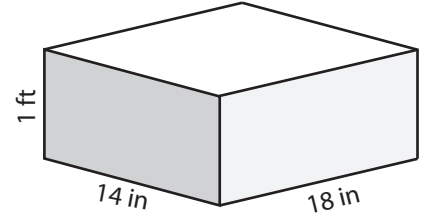
Surface Area = 674 yd²

2)



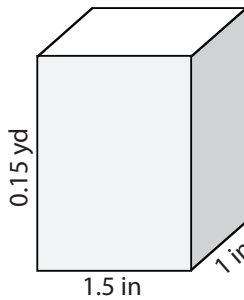
Surface Area = 248 ft²

3)



Surface Area = 1272 in²

4)



Surface Area = 30

PREVIEW

Access the largest collection of
worksheets for just **\$19.95** per year!

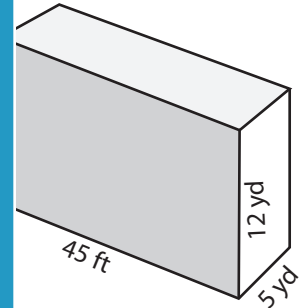
Members, please
log in to
download this
worksheet.

Log in

Not a member?
Please sign up to
gain complete
access.

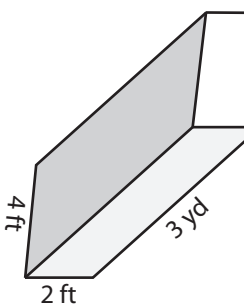
Sign up

www.mathworksheets4kids.com



Surface Area = 630 yd²

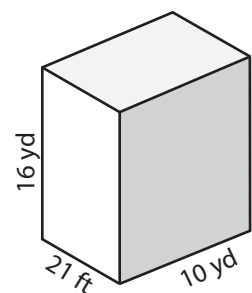
7)



Surface Area = 124 ft²

Surface Area = 438 in²

Surface Area = 684 yd²



10) Find the area of cardboard required to make a box of 9.5 inches long, a foot wide and 4 inches height.

Surface Area = 400 in²