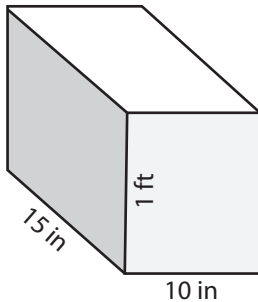


**Surface Area - Rectangular Prism**

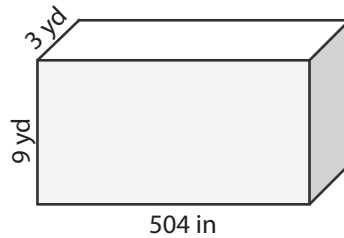
CS3

Find the surface area of each rectangular prism.

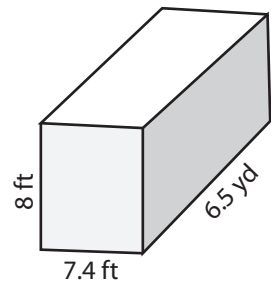
1)

Surface Area = \_\_\_\_\_ in<sup>2</sup>

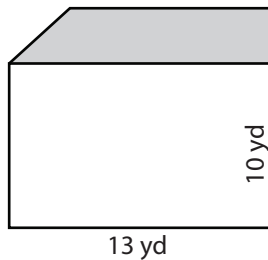
2)

Surface Area = \_\_\_\_\_ yd<sup>2</sup>

3)

Surface Area = \_\_\_\_\_ ft<sup>2</sup>

4)



Surface Area = \_\_\_\_\_

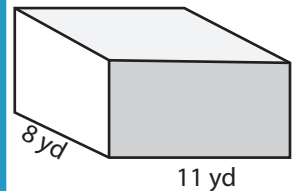
**PREVIEW**

Access the largest collection of  
worksheets for just **\$19.95** per year!

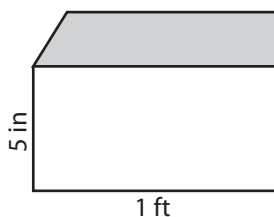
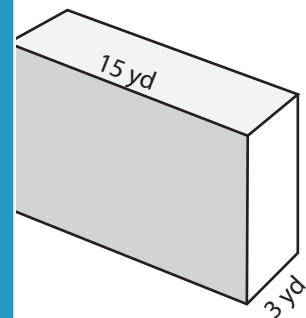
Members, please  
log in to  
download this  
worksheet.

**Log in**

Not a member?  
Please sign up to  
gain complete  
access.

**Sign up**
[www.mathworksheets4kids.com](http://www.mathworksheets4kids.com)
Surface Area = \_\_\_\_\_ yd<sup>2</sup>

7)

Surface Area = \_\_\_\_\_ in<sup>2</sup>Surface Area = \_\_\_\_\_ ft<sup>2</sup>Surface Area = \_\_\_\_\_ yd<sup>2</sup>

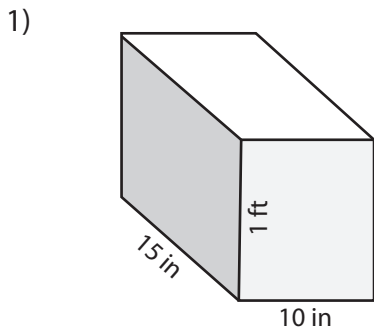
- 10) Linda bakes a cake. The cake has a dimension of 6 inches x 3 inches x 0.5 feet. She applies the cream all over the cake except at the base. Find the area of the cake applied by the cream?

Surface Area = \_\_\_\_\_ in<sup>2</sup>

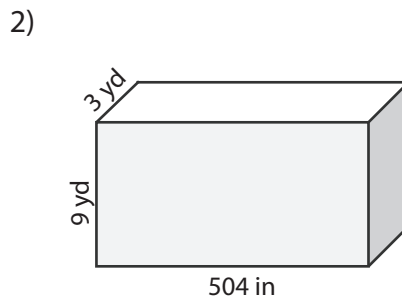
**Surface Area - Rectangular Prism**

CS3

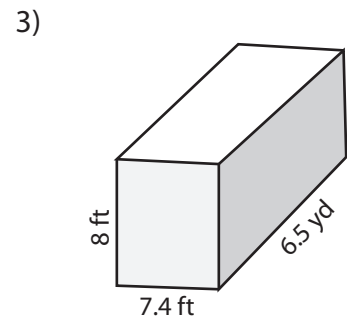
Find the surface area of each rectangular prism.



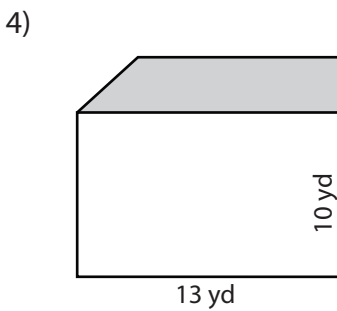
Surface Area = 900 in<sup>2</sup>



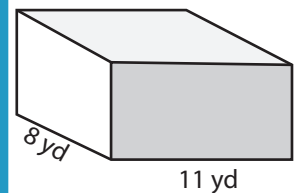
Surface Area = 390 yd<sup>2</sup>



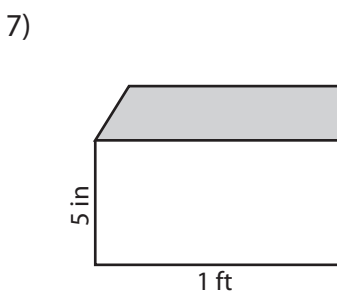
Surface Area = 719 ft<sup>2</sup>



Surface Area = 490 yd<sup>2</sup>



Surface Area = 442 yd<sup>2</sup>



Surface Area = 188 in<sup>2</sup>

# PREVIEW

Access the largest collection of  
worksheets for just **\$19.95** per year!

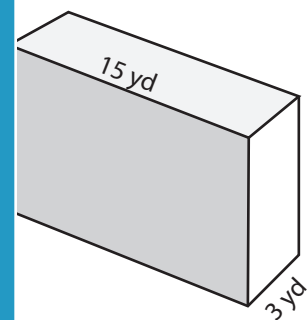
Members, please  
log in to  
download this  
worksheet.

Log in

Not a member?  
Please sign up to  
gain complete  
access.

Sign up

[www.mathworksheets4kids.com](http://www.mathworksheets4kids.com)



Surface Area = 558 yd<sup>2</sup>

10) Linda bakes a cake. The cake has a dimension of 6 inches x 3 inches x 0.5 feet. She applies the cream all over the cake except at the base. Find the area of the cake applied by the cream?

Surface Area = 144 in<sup>2</sup>