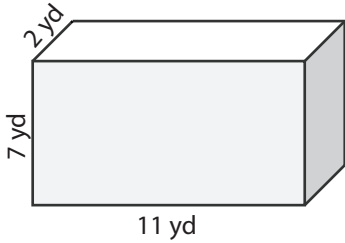


**Surface Area - Rectangular Prism**

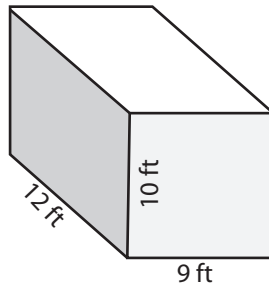
Find the surface area of each rectangular prism.

1)



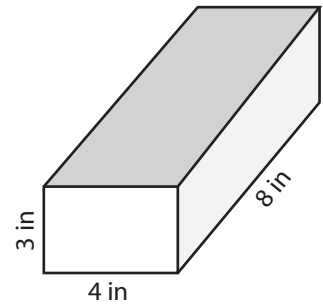
Surface Area = \_\_\_\_\_

2)



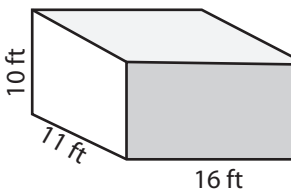
Surface Area = \_\_\_\_\_

3)

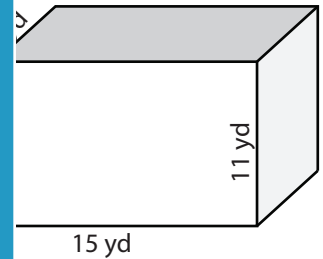


Surface Area = \_\_\_\_\_

4)

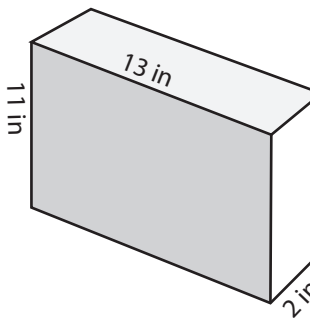


Surface Area = \_\_\_\_\_

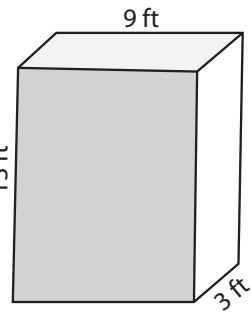


Surface Area = \_\_\_\_\_

7)



Surface Area = \_\_\_\_\_



Surface Area = \_\_\_\_\_

**PREVIEW**

Access the largest collection of worksheets for just **\$19.95** per year!

Members, please log in to download this worksheet.

Log in

Not a member? Please sign up to gain complete access.

Sign up

[www.mathworksheets4kids.com](http://www.mathworksheets4kids.com)

10) Lisa uses a sheet of paper to make a rectangular box with a dimension of 12 yard x 8 yard x 18 yard. Find the area of the paper.

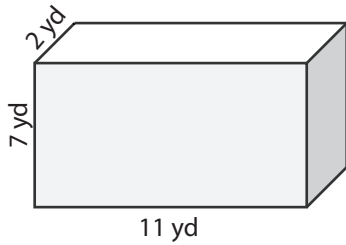
Surface Area = \_\_\_\_\_

## Surface Area - Rectangular Prism

ES3

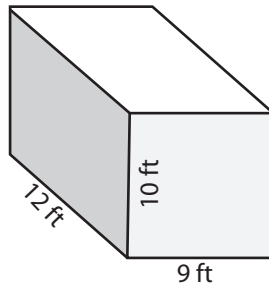
Find the surface area of each rectangular prism.

1)



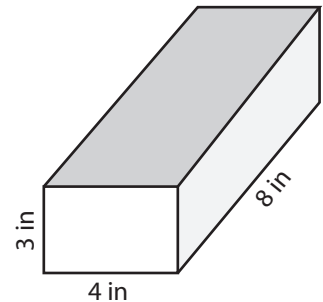
Surface Area = 226 yd<sup>2</sup>

2)



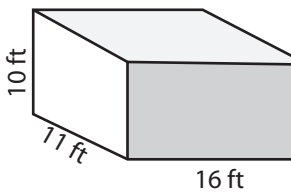
Surface Area = 636 ft<sup>2</sup>

3)



Surface Area = 136 in<sup>2</sup>

4)



Surface Area = 892 ft<sup>2</sup>

# PREVIEW

Access the largest collection of  
worksheets for just **\$19.95** per year!

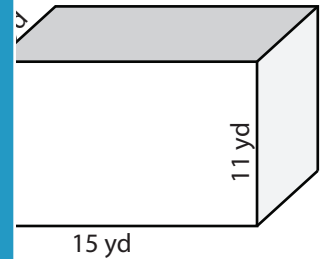
Members, please  
log in to  
download this  
worksheet.

Log in

Not a member?  
Please sign up to  
gain complete  
access.

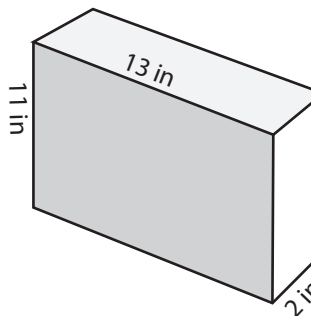
Sign up

www.mathworksheets4kids.com



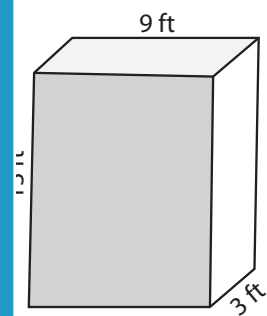
Surface Area = 590 yd<sup>2</sup>

7)



Surface Area = 382 in<sup>2</sup>

Surface Area = 620 yd<sup>2</sup>



Surface Area = 366 ft<sup>2</sup>

- 10) Lisa uses a sheet of paper to make a rectangular box with a dimension of 12 yard x 8 yard x 18 yard. Find the area of the paper.

Surface Area = 912 yd<sup>2</sup>