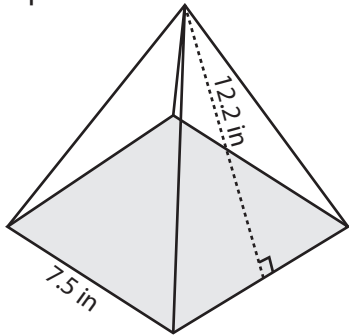


Surface Area - Square Pyramid

DS2

Example:



$$\text{Surface area} = \text{base area} + \frac{1}{2} \times \text{perimeter} \times \text{slant height}$$

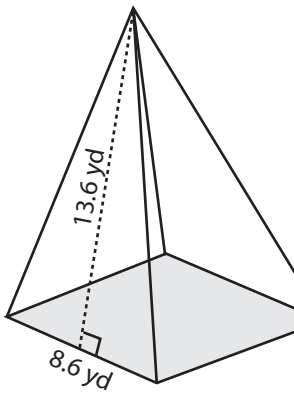
$$\text{Base area} = \text{side} \times \text{side} = 56.25 \text{ in}^2$$

$$\text{Perimeter} = 4 \times \text{side} = 30 \text{ in}$$

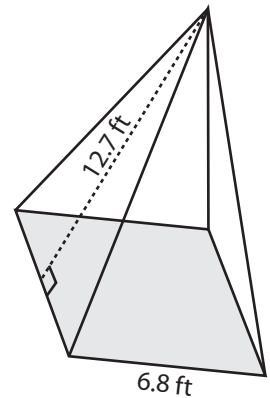
$$\begin{aligned} \text{Surface area} &= 56.25 + \frac{1}{2} \times 30 \times 12.2 \\ &= \mathbf{239.25 \text{ in}^2} \end{aligned}$$

Find the surface area of each

1)

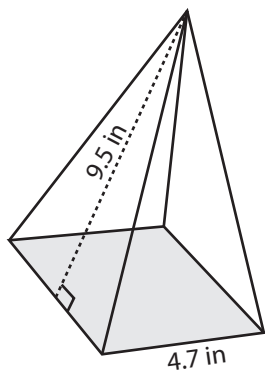


Surface Area = _____

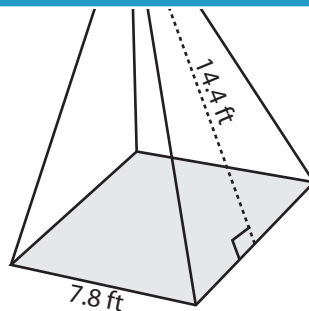


Surface Area = _____

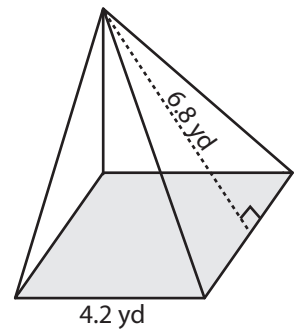
4)



Surface Area = _____



Surface Area = _____



Surface Area = _____

PREVIEW

Access the largest collection of worksheets for just **\$19.95** per year!

Members, please log in to download this worksheet.

Log in

Not a member? Please sign up to gain complete access.

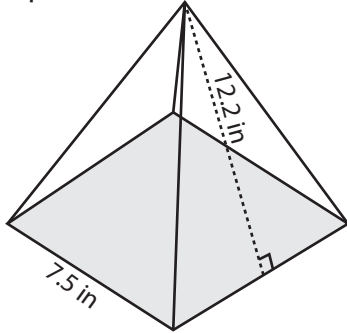
Sign up

www.mathworksheets4kids.com

Answer key**Surface Area - Square Pyramid**

DS2

Example:



$$\text{Surface area} = \text{base area} + \frac{1}{2} \times \text{perimeter} \times \text{slant height}$$

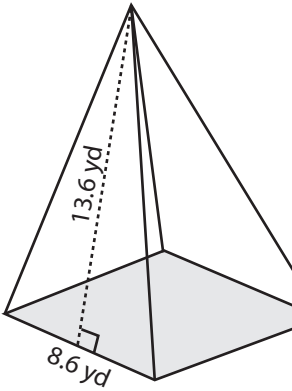
$$\text{Base area} = \text{side} \times \text{side} = 56.25 \text{ in}^2$$

$$\text{Perimeter} = 4 \times \text{side} = 30 \text{ in}$$

$$\begin{aligned} \text{Surface area} &= 56.25 + \frac{1}{2} \times 30 \times 12.2 \\ &= \mathbf{239.25 \text{ in}^2} \end{aligned}$$

Find the surface area of each

1)



$$\text{Surface Area} = \mathbf{307.88 \text{ yd}^2}$$

PREVIEW

Access the largest collection of worksheets for just **\$19.95** per year!

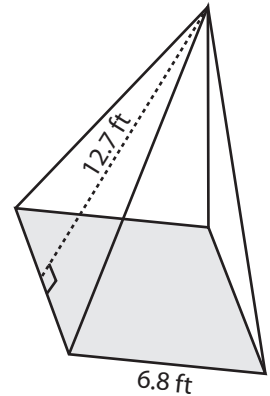
Members, please log in to download this worksheet.

Log in

Not a member? Please sign up to gain complete access.

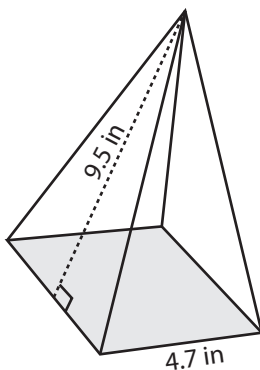
Sign up

www.mathworksheets4kids.com

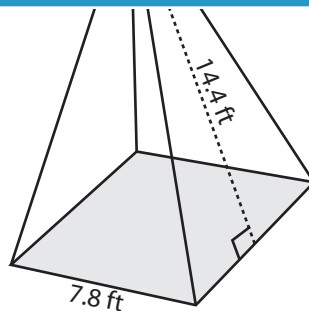


$$\text{Surface Area} = \mathbf{218.96 \text{ ft}^2}$$

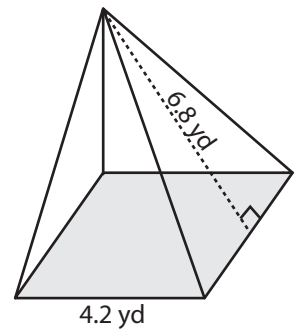
4)



$$\text{Surface Area} = \mathbf{111.39 \text{ in}^2}$$



$$\text{Surface Area} = \mathbf{285.48 \text{ ft}^2}$$



$$\text{Surface Area} = \mathbf{74.76 \text{ yd}^2}$$