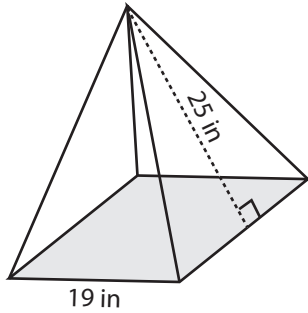


Surface Area - Square Pyramid

MS3

Example:



$$\text{Surface area} = \text{base area} + \frac{1}{2} \times \text{perimeter} \times \text{slant height}$$

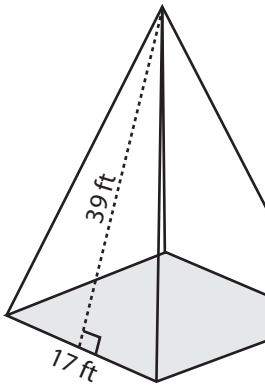
$$\text{Base area} = \text{side} \times \text{side} = 19 \times 19 = 361 \text{ in}^2$$

$$\text{Perimeter} = 4 \times \text{side} = 4 \times 19 = 76 \text{ in}$$

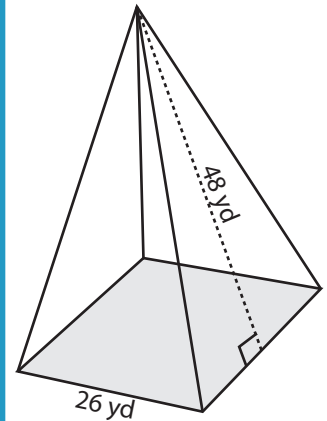
$$\begin{aligned} \text{Surface area} &= 361 + \frac{1}{2} \times 76 \times 25 \\ &= \mathbf{1311 \text{ in}^2} \end{aligned}$$

Find the surface area of each

1)

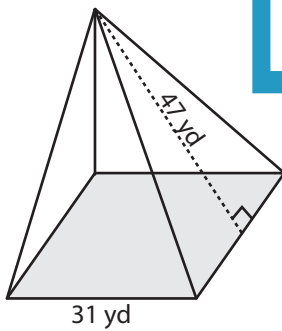


Surface Area = _____

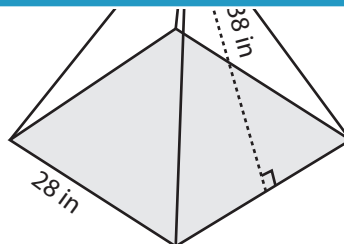


Surface Area = _____

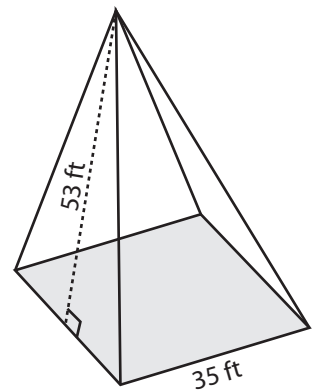
4)



Surface Area = _____



Surface Area = _____



Surface Area = _____

PREVIEW

Access the largest collection of
worksheets for just **\$19.95** per year!

Members, please
log in to
download this
worksheet.

Log in

Not a member?
Please sign up to
gain complete
access.

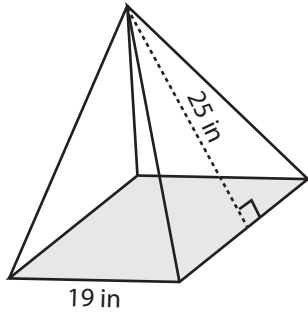
Sign up

www.mathworksheets4kids.com

Surface Area - Square Pyramid

MS3

Example:



$$\text{Surface area} = \text{base area} + \frac{1}{2} \times \text{perimeter} \times \text{slant height}$$

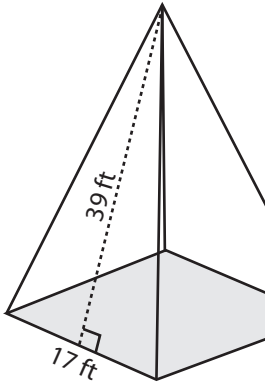
$$\text{Base area} = \text{side} \times \text{side} = 19 \times 19 = 361 \text{ in}^2$$

$$\text{Perimeter} = 4 \times \text{side} = 4 \times 19 = 76 \text{ in}$$

$$\begin{aligned} \text{Surface area} &= 361 + \frac{1}{2} \times 76 \times 25 \\ &= \mathbf{1311 \text{ in}^2} \end{aligned}$$

Find the surface area of each

1)



Surface Area = 1615 ft²

PREVIEW

Access the largest collection of worksheets for just **\$19.95** per year!

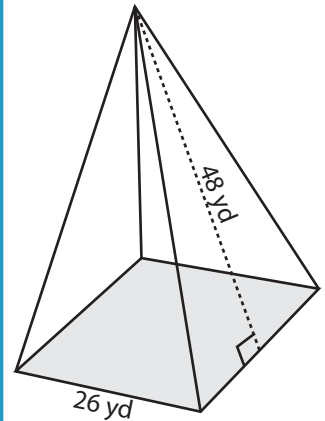
Members, please log in to download this worksheet.

Log in

Not a member? Please sign up to gain complete access.

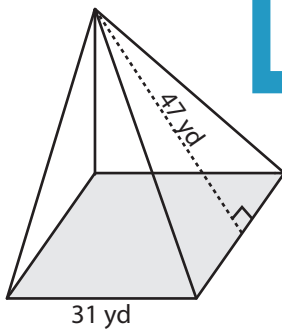
Sign up

www.mathworksheets4kids.com

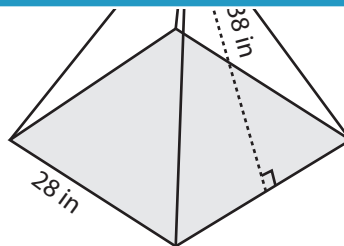


Surface Area = 3172 yd²

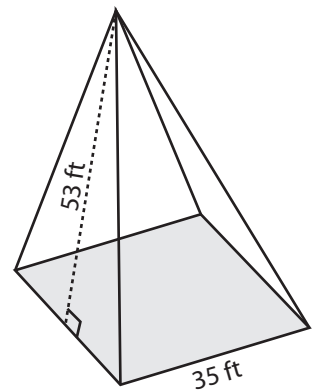
4)



Surface Area = 3875 yd²



Surface Area = 2912 in²



Surface Area = 4935 ft²