

Name : _____

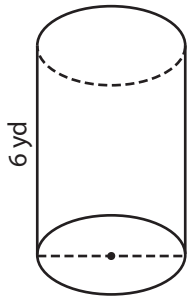
Surface Area - Cylinder

A) Find the indicated measure. (use $\pi = 3.14$)

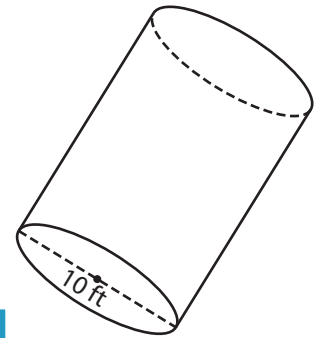
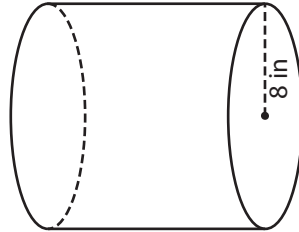
1) Surface Area = 100.48 yd^2

2) Surface Area = $1,055.04 \text{ in}^2$

3) Surface Area = 785 ft^2



diameter = _____



height = _____

B) Find the indicated

4) Surface Area = 753.6 ft^2

height = _____

6) Surface Area = $1,017.36$

height = _____

PREVIEW

Gain complete access to the largest collection of worksheets in all subjects!

Members, please log in to download this worksheet.

Not a member? Please sign up to gain complete access.

www.mathworksheets4kids.com

24 in^2 , height = 12 in

56 ft^2 , height = 11 ft

diameter = _____

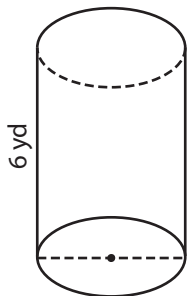
8) Find the diameter of a cylinder whose surface area is 113.04 in^2 and height is 17 in.

Name : _____

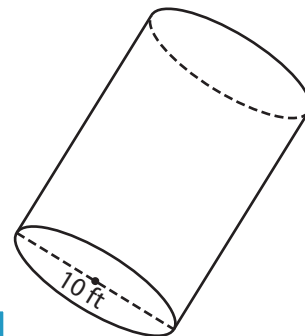
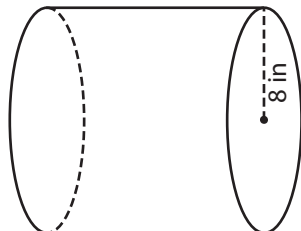
Surface Area - Cylinder

A) Find the indicated measure. (use $\pi = 3.14$)

- 1) Surface Area = 100.48 yd^2 2) Surface Area = $1,055.04 \text{ in}^2$ 3) Surface Area = 785 ft^2



diameter = 4 yd



height = 20 ft

B) Find the indicated

- 4) Surface Area = 753.6 ft^2 , height = 12 ft, diameter = 24 in, height = 12 in

height = 19 ft

- 6) Surface Area = $1,017.36 \text{ ft}^2$, height = 11 ft, diameter = 16 ft

height = 9 yd

diameter = 16 ft

- 8) Find the diameter of a cylinder whose surface area is 113.04 in^2 and height is 17 in.

2 in

PREVIEW

Gain complete access to the largest collection of worksheets in all subjects!

Members, please log in to download this worksheet.

Not a member? Please sign up to gain complete access.

www.mathworksheets4kids.com