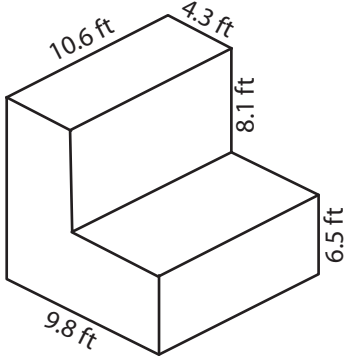


Name : _____

Surface Area - Solid Figures

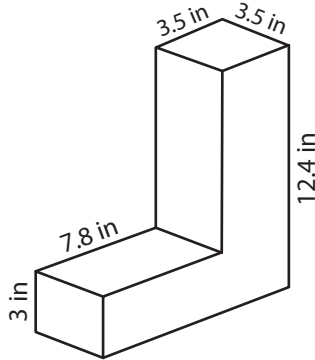
Find the surface area of each solid figure.

1)



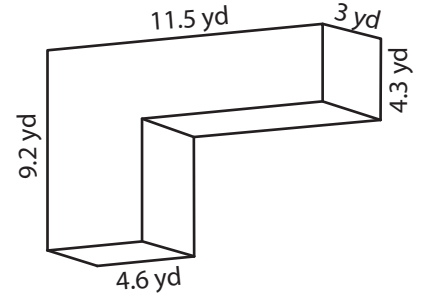
Surface Area = _____

2)



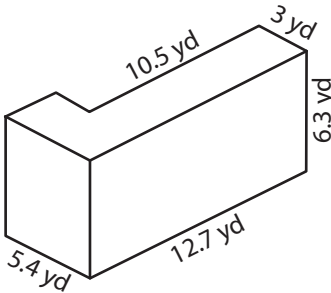
Surface Area = _____

3)



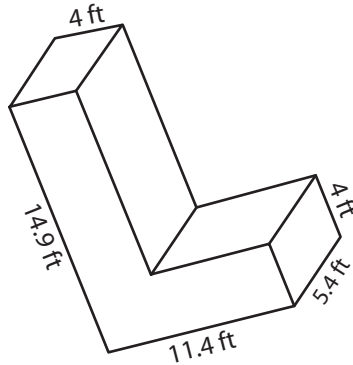
Surface Area = _____

4)



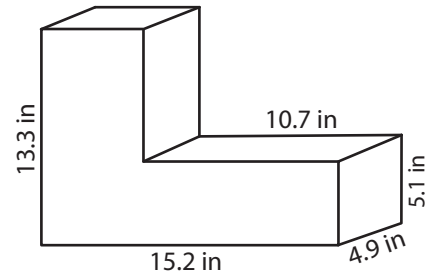
Surface Area = _____

5)



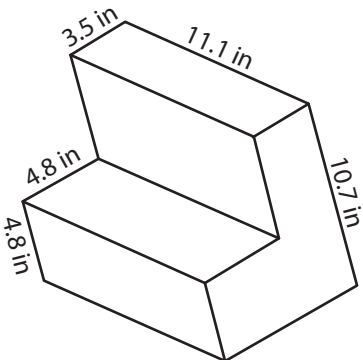
Surface Area = _____

6)



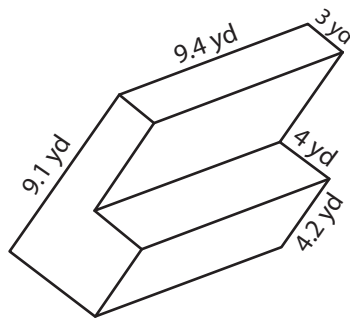
Surface Area = _____

7)



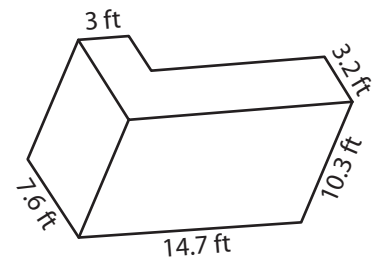
Surface Area = _____

8)



Surface Area = _____

9)



Surface Area = _____

Answer key

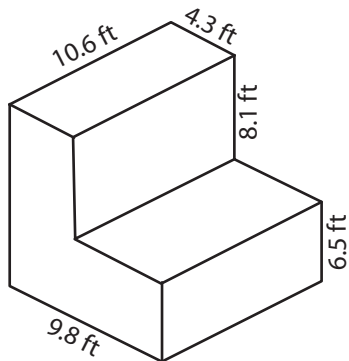
Name : _____

Surface Area - Solid Figures

Decimals: S1

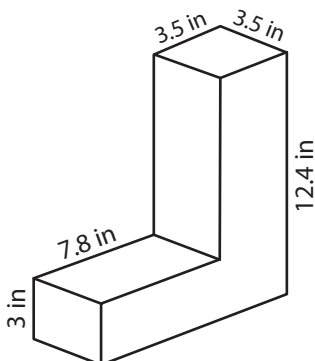
Find the surface area of each solid figure.

1)



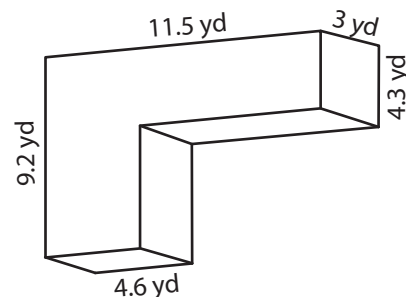
Surface Area = 714.34 ft²

2)



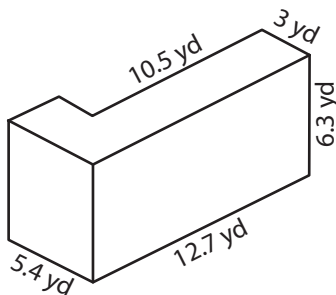
Surface Area = 299.5 in²

3)



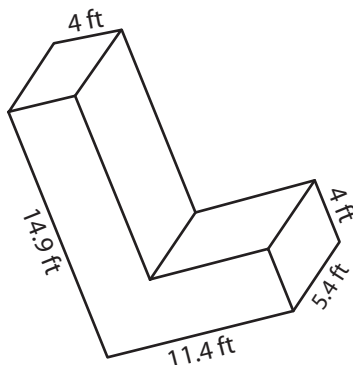
Surface Area = 268.18 yd²

4)



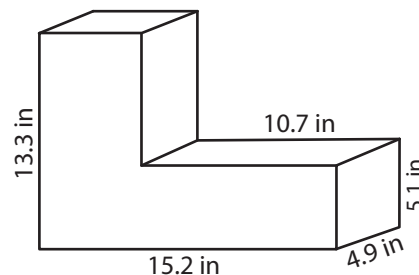
Surface Area = 314.82 yd²

5)



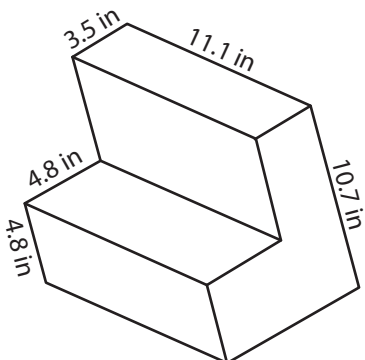
Surface Area = 462.44 ft²

6)



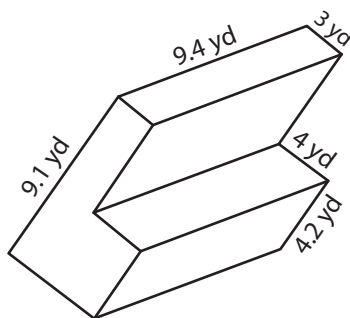
Surface Area = 508.14 in²

7)



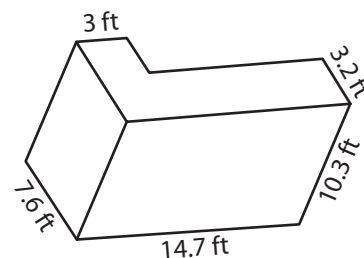
Surface Area = 542.78 in²

8)



Surface Area = 390.88 yd²

9)



Surface Area = 579.86 ft²