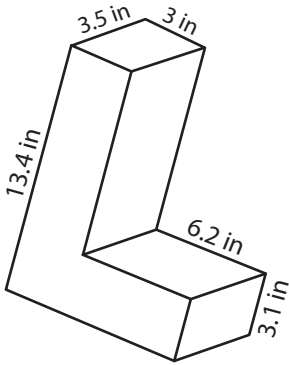


Name : _____

Surface Area - Solid Figures

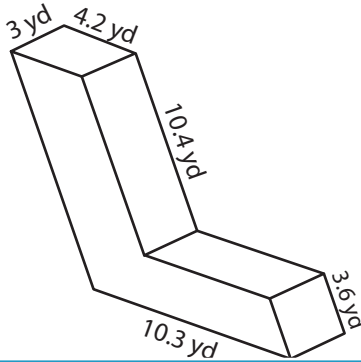
Find the surface area of each solid figure.

1)

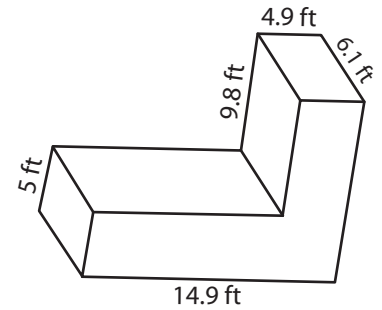


Surface Area = _____

2)

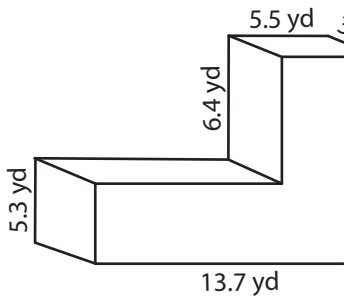


3)



Surface Area = _____

4)



Surface Area = _____

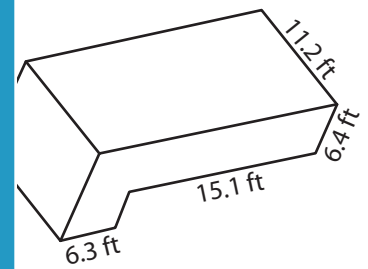
PREVIEW

Gain complete access to the largest collection of worksheets in all subjects!

Members, please log in to download this worksheet.

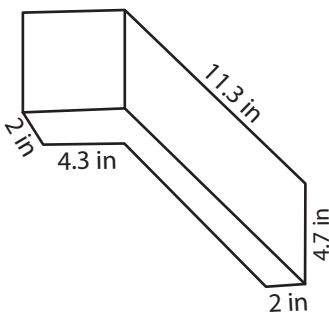
Not a member? Please sign up to gain complete access.

www.mathworksheets4kids.com

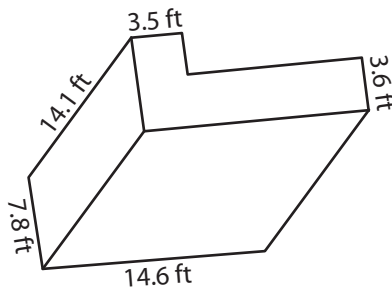


Surface Area = _____

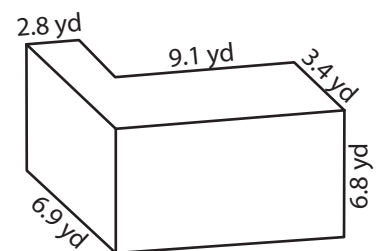
7)



Surface Area = _____



Surface Area = _____



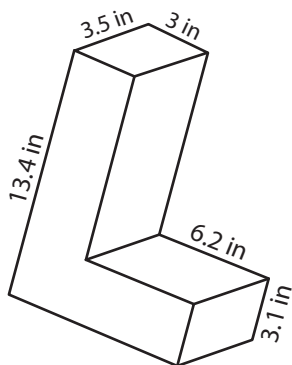
Surface Area = _____

Name : _____

Surface Area - Solid Figures

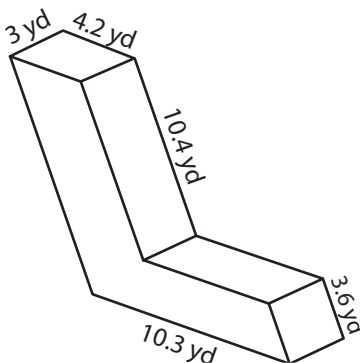
Find the surface area of each solid figure.

1)

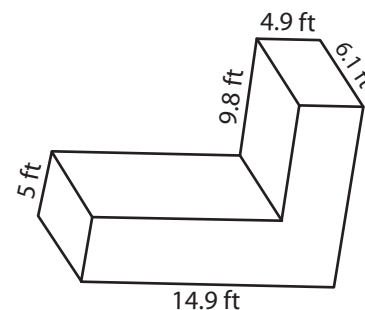


Surface Area = 277.04 in²

2)

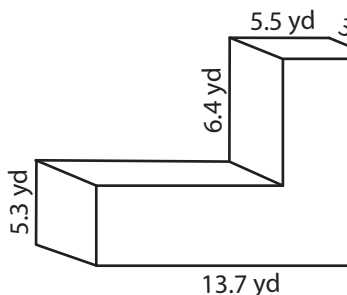


3)



Surface Area = 607.38 ft²

4)



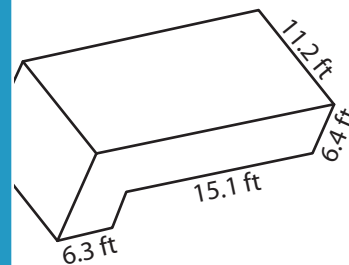
Surface Area = 368.02 yd²

Gain complete access to the largest collection of worksheets in all subjects!

Members, please log in to download this worksheet.

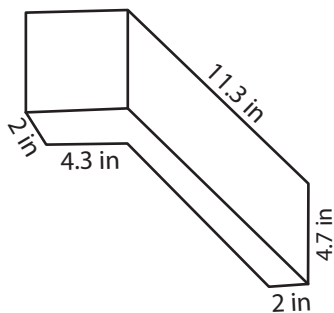
Not a member? Please sign up to gain complete access.

www.mathworksheets4kids.com

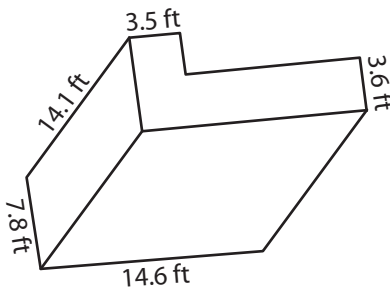


Surface Area = 977.14 ft²

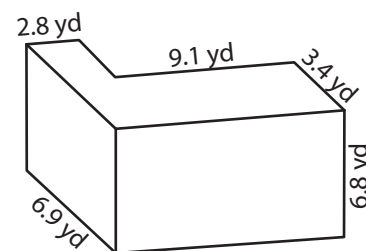
7)



Surface Area = 227.84 in²



Surface Area = 766.2 ft²



Surface Area = 356.2 yd²