

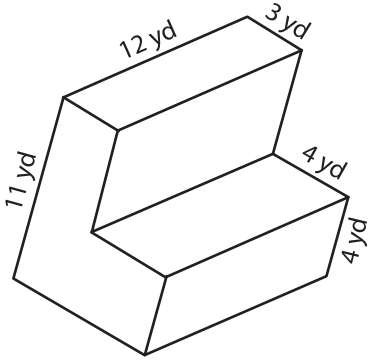
Name : \_\_\_\_\_

# Surface Area - Solid Figures

Integers: ES1

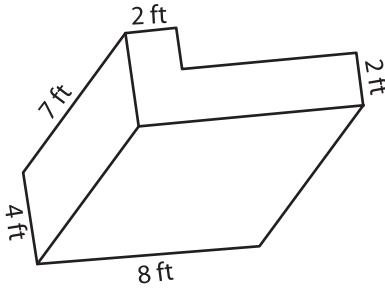
Find the surface area of each solid figure.

1)



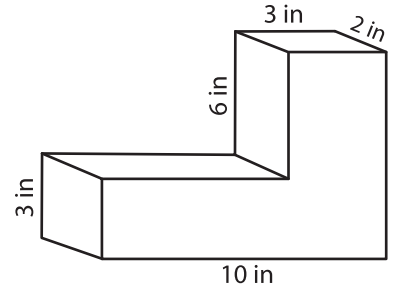
Surface Area = \_\_\_\_\_

2)



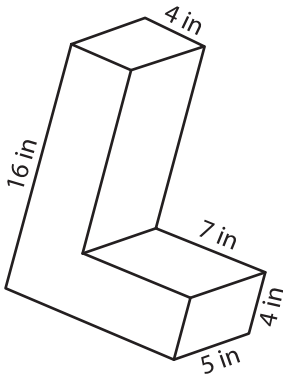
Surface Area = \_\_\_\_\_

3)



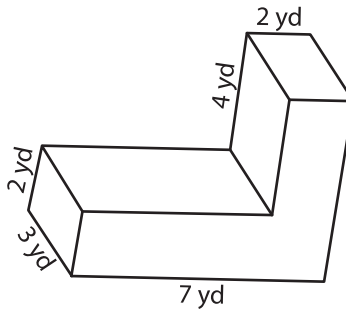
Surface Area = \_\_\_\_\_

4)



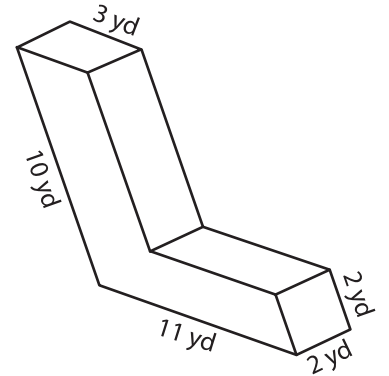
Surface Area = \_\_\_\_\_

5)



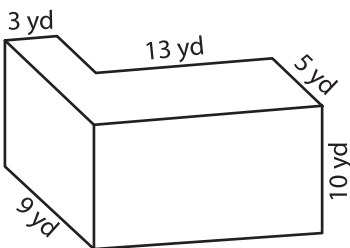
Surface Area = \_\_\_\_\_

6)



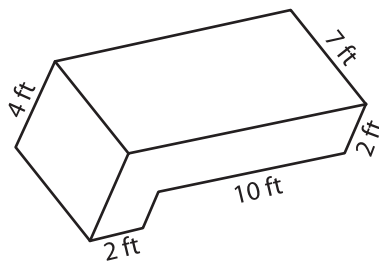
Surface Area = \_\_\_\_\_

7)



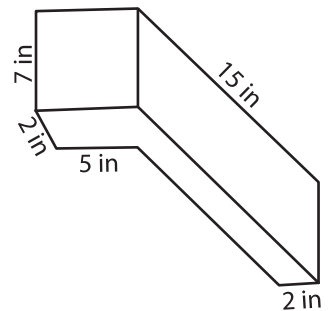
Surface Area = \_\_\_\_\_

8)



Surface Area = \_\_\_\_\_

9)



Surface Area = \_\_\_\_\_