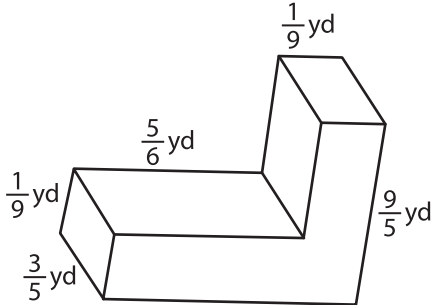


Name : _____

Surface Area - Solid Figures

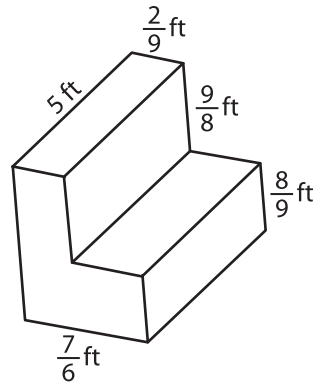
Find the surface area of each solid figure.

1)

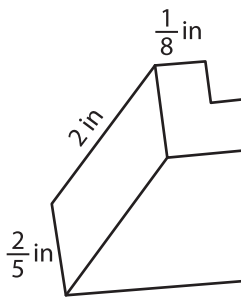


Surface Area = _____

2)



3)



Surface Area = _____

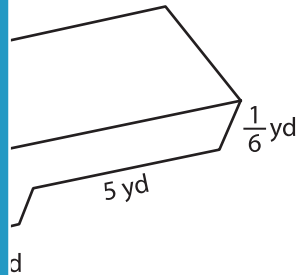
PREVIEW

Gain complete access to the largest collection of worksheets in all subjects!

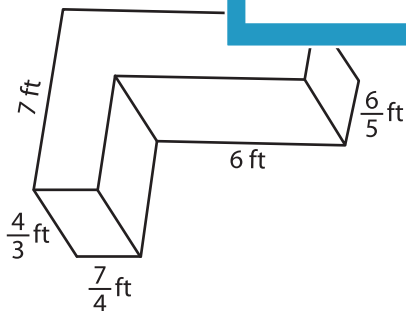
Members, please log in to download this worksheet.

Not a member? Please sign up to gain complete access.

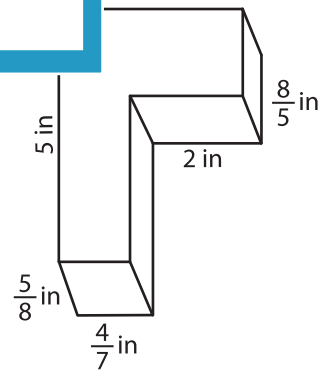
www.mathworksheets4kids.com



5)



Surface Area = _____



Surface Area = _____