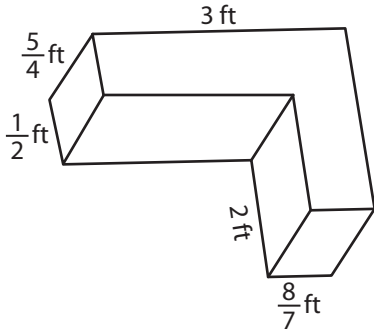


Name : _____

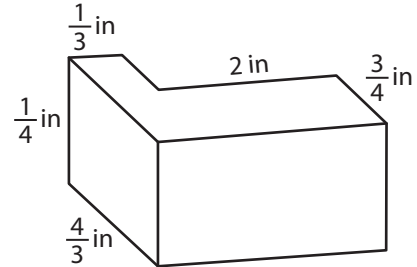
Surface Area - Solid Figures

Find the surface area of each solid figure.

1)

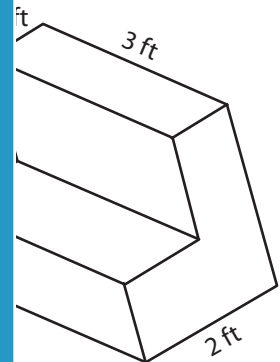
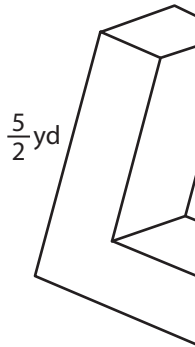


2)



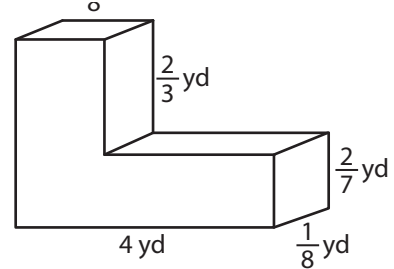
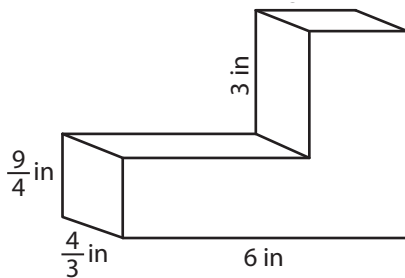
Surface Area = _____

3)



Surface Area = _____

5)



Surface Area = _____

Surface Area = _____

PREVIEW

Gain complete access to the largest collection of worksheets in all subjects!

Members, please log in to download this worksheet.

Not a member? Please sign up to gain complete access.

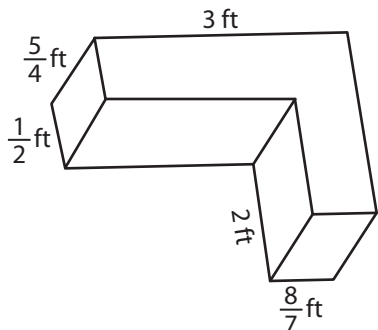
www.mathworksheets4kids.com

Name : _____

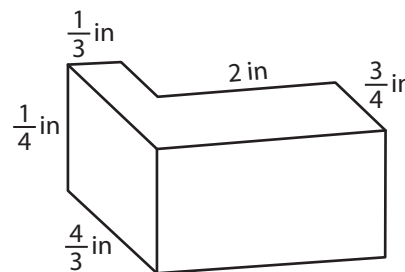
Surface Area - Solid Figures

Find the surface area of each solid figure.

1)



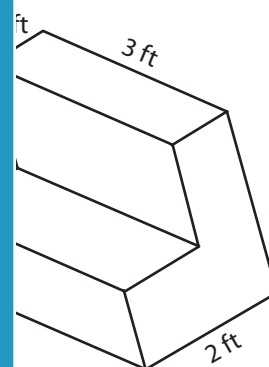
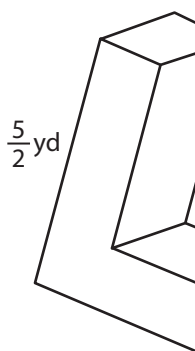
2)



Surface Area = $\frac{6}{3}$

 $\frac{40}{7}$ or $5\frac{5}{7}$ in²

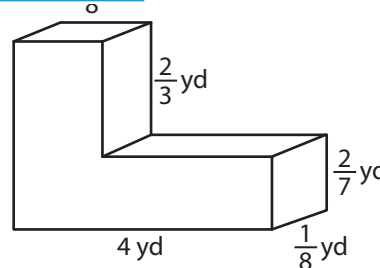
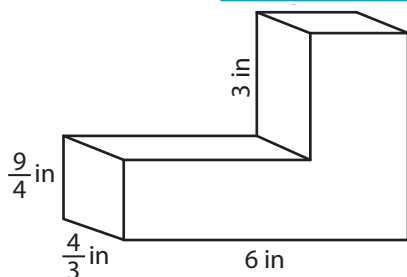
3)



Surface Area = $\frac{2}{5}$

 $\frac{179}{7}$ or $25\frac{4}{7}$ ft²

5)



Surface Area = **73 in²**

Surface Area = **4 yd²**

PREVIEW

Gain complete access to the largest collection of worksheets in all subjects!

Members, please log in to download this worksheet.

Not a member? Please sign up to gain complete access.

www.mathworksheets4kids.com