

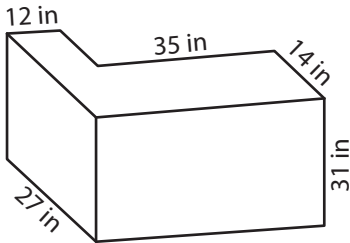
Name : _____

Integers: MS1

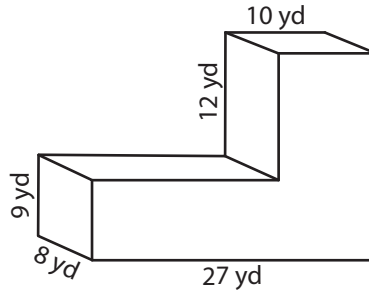
Surface Area - Solid Figures

Find the surface area of each solid figure.

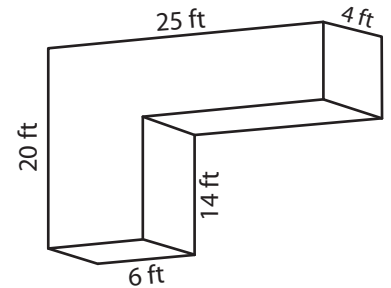
1)



2)



3)



Surface Area = _____

Surface Area = _____

PREVIEW

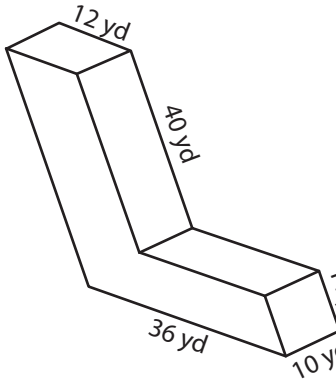
Gain complete access to the largest collection of worksheets in all subjects!

Members, please log in to download this worksheet.

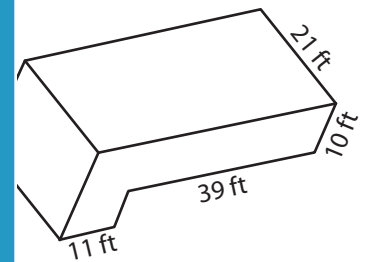
Not a member? Please sign up to gain complete access.

www.mathworksheets4kids.com

4)

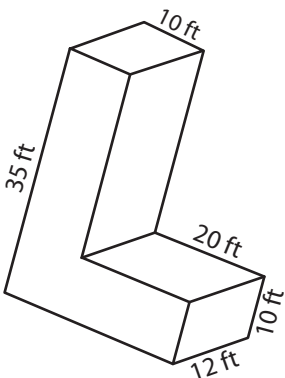


Surface Area = _____

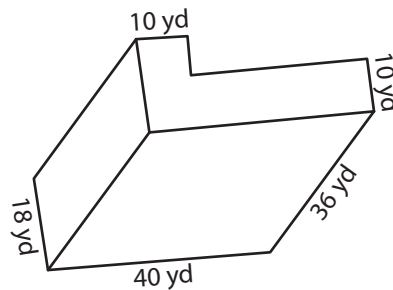


Surface Area = _____

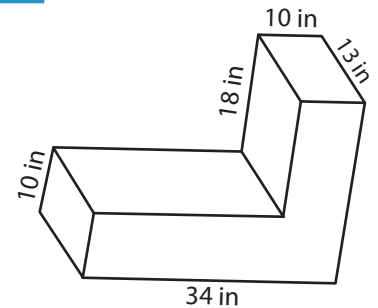
7)



Surface Area = _____



Surface Area = _____



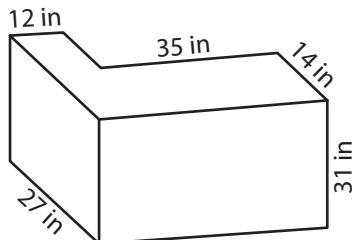
Surface Area = _____

Name : _____

Surface Area - Solid Figures

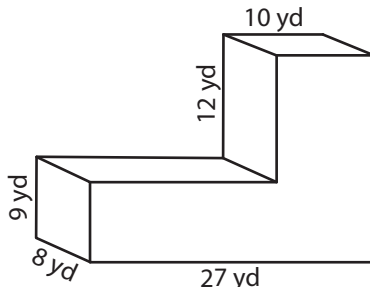
Find the surface area of each solid figure.

1)

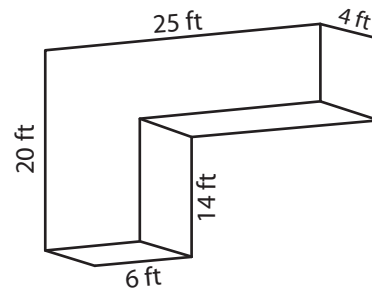


Surface Area = 6,216 in

2)

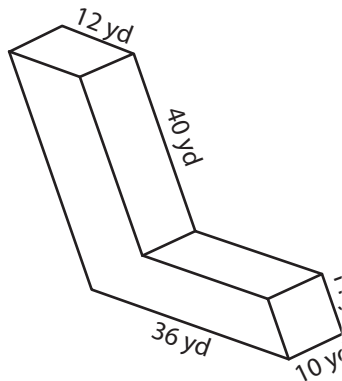


3)



Surface Area = 828 ft²

4)



Surface Area = 3,492 yd

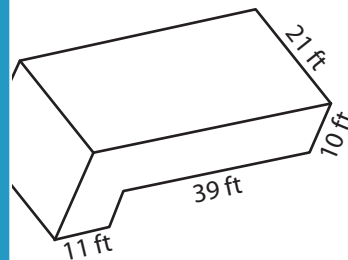
PREVIEW

Gain complete access to the largest collection of worksheets in all subjects!

Members, please log in to download this worksheet.

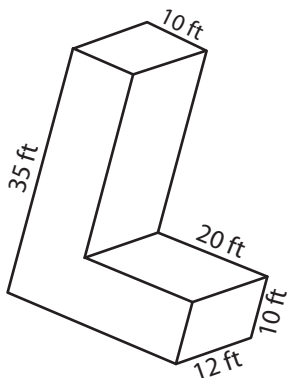
Not a member? Please sign up to gain complete access.

www.mathworksheets4kids.com

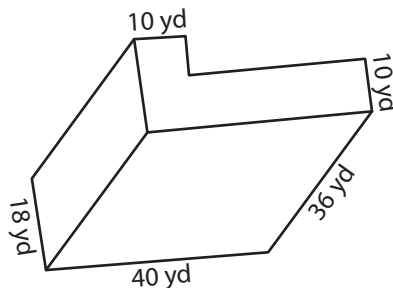


Surface Area = 3,776 ft²

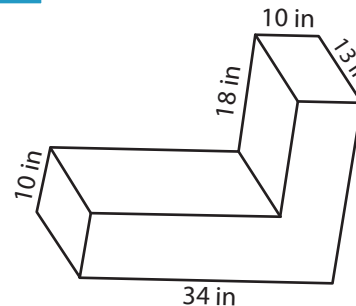
7)



Surface Area = 2,660 ft²



Surface Area = 5,136 yd²



Surface Area = 2,652 in²