

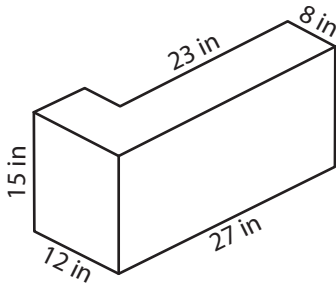
Name : _____

Integers: MS3

Surface Area - Solid Figures

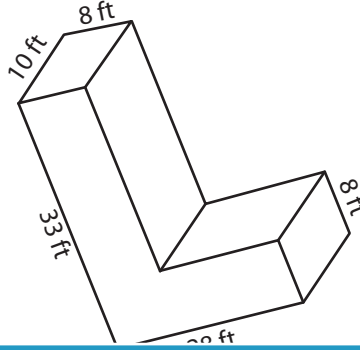
Find the surface area of each solid figure.

1)

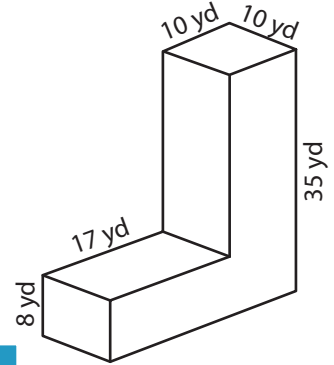


Surface Area = _____

2)

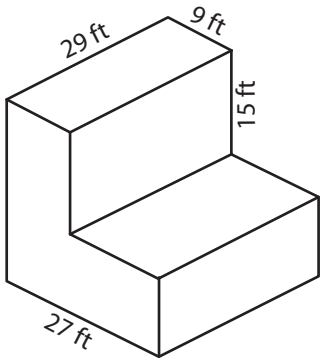


3)



Surface Area = _____

4)



Surface Area = _____

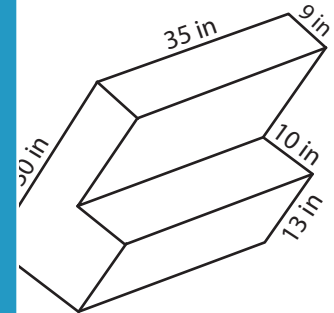
PREVIEW

Gain complete access to the largest collection of worksheets in all subjects!

Members, please log in to download this worksheet.

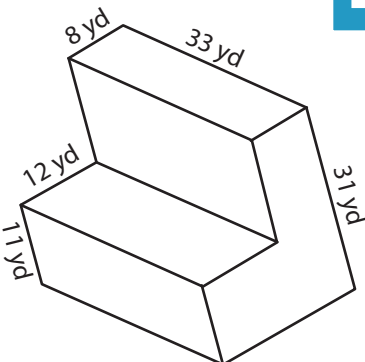
Not a member? Please sign up to gain complete access.

www.mathworksheets4kids.com

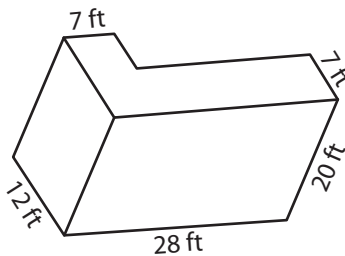


Surface Area = _____

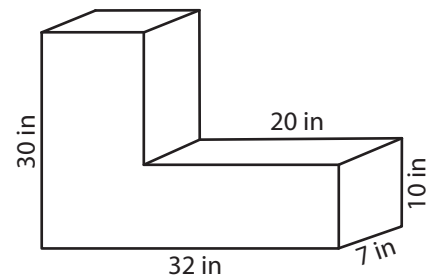
7)



Surface Area = _____



Surface Area = _____



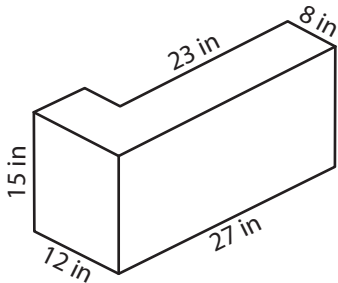
Surface Area = _____

Name : _____

Surface Area - Solid Figures

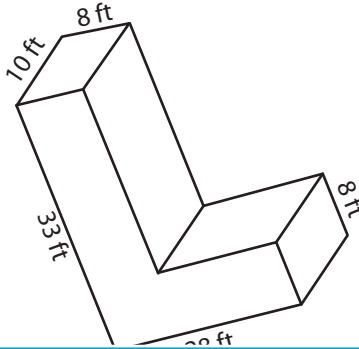
Find the surface area of each solid figure.

1)

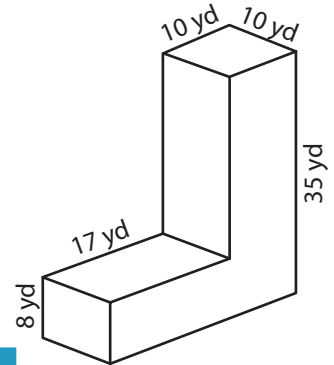


Surface Area = 1,634 in²

2)

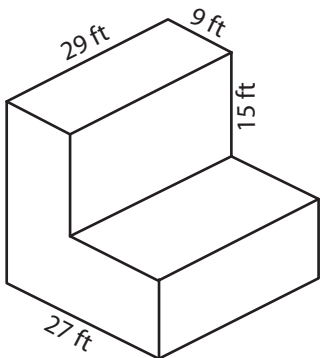


3)



Surface Area = 2,212 yd²

4)



Surface Area = 3,938 ft²

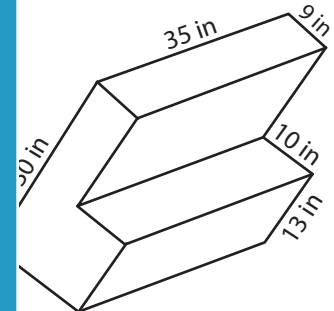
PREVIEW

Gain complete access to the largest collection of worksheets in all subjects!

Members, please log in to download this worksheet.

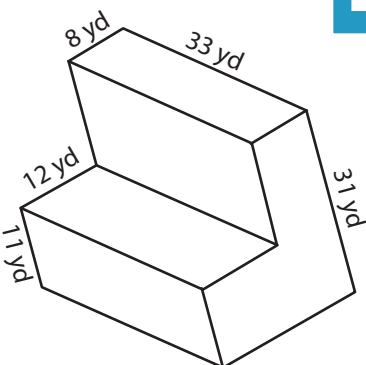
Not a member? Please sign up to gain complete access.

www.mathworksheets4kids.com

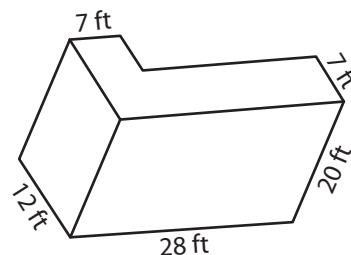


Surface Area = 4,230 in²

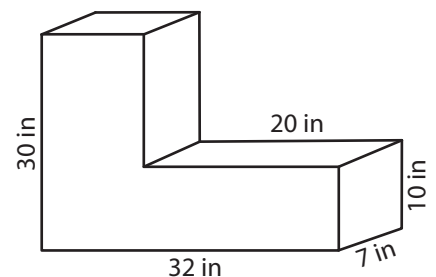
7)



Surface Area = 4,126 yd²



Surface Area = 2,062 ft²



Surface Area = 1,988 in²