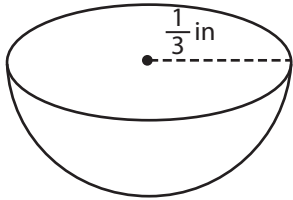


Name : _____

Surface Area of Mixed Shapes

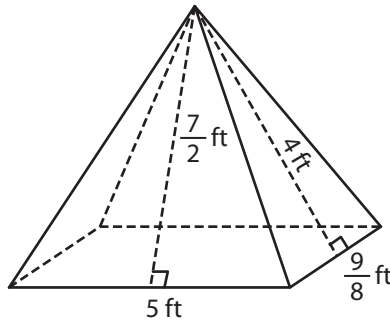
Find the surface area of each shape. Round your answer to two decimal places.
(use $\pi = 3.14$)

1)

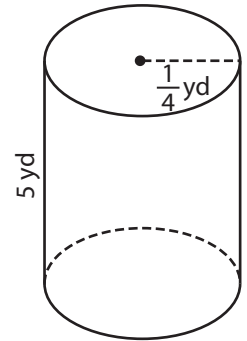


Surface Area = _____

2)

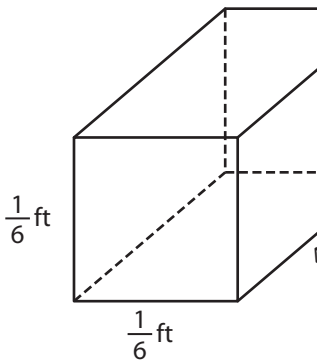


3)



Surface Area = _____

4)



Surface Area = _____

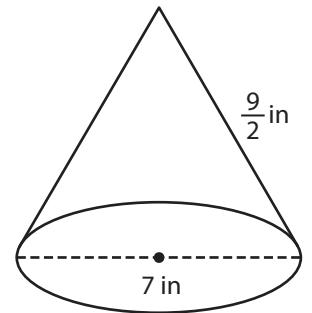
PREVIEW

Gain complete access to the largest collection of worksheets in all subjects!

Members, please log in to download this worksheet.

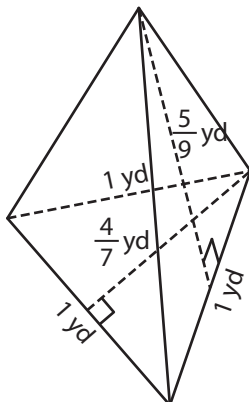
Not a member? Please sign up to gain complete access.

www.mathworksheets4kids.com

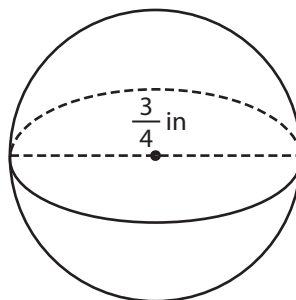


Surface Area = _____

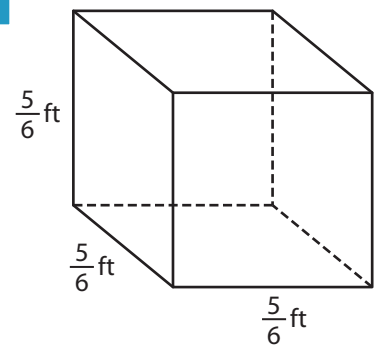
7)



Surface Area = _____



Surface Area = _____



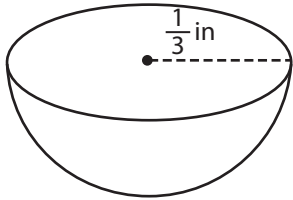
Surface Area = _____

Name : _____

Surface Area of Mixed Shapes

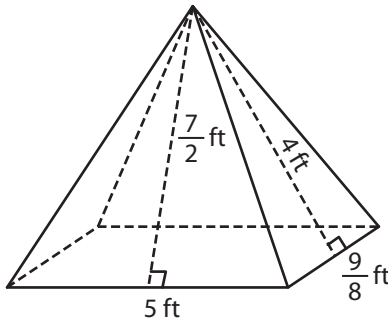
Find the surface area of each shape. Round your answer to two decimal places. (use $\pi = 3.14$)

1)

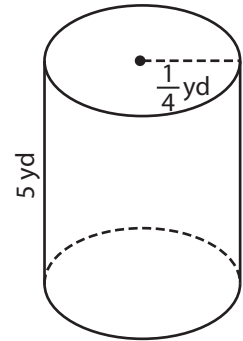


Surface Area = 1.05

2)

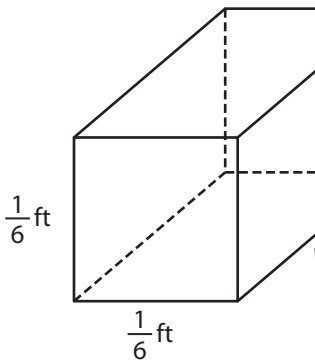


3)



Surface Area = 8.24 yd²

4)



Surface Area = 2.72

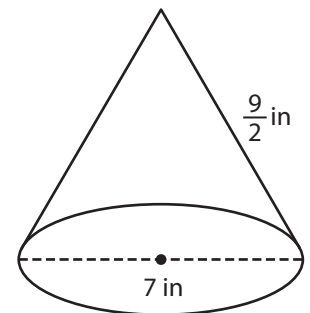
PREVIEW

Gain complete access to the largest collection of worksheets in all subjects!

Members, please log in to download this worksheet.

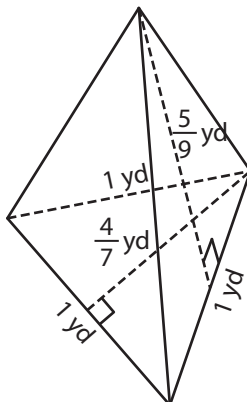
Not a member? Please sign up to gain complete access.

www.mathworksheets4kids.com

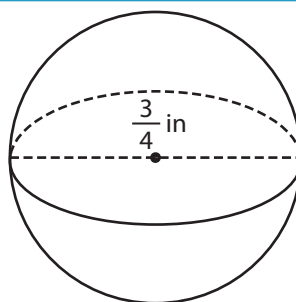


Surface Area = 87.92 in²

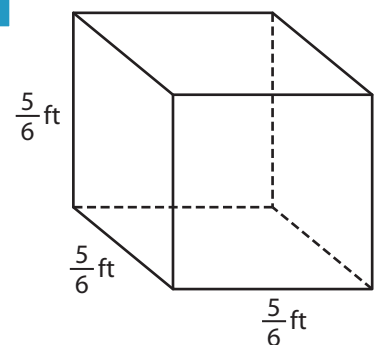
7)



Surface Area = 1.12 yd²



Surface Area = 1.77 in²



Surface Area = 4.17 ft²