

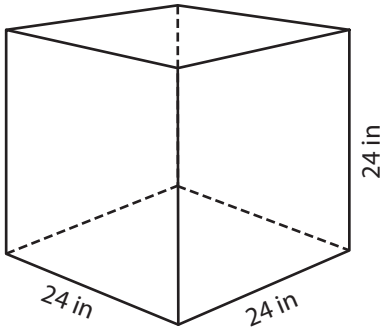
Name : _____

Integers: MS2

Surface Area of Mixed Shapes

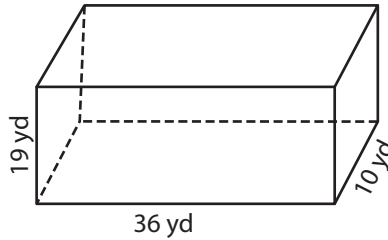
Find the surface area of each shape. Round your answer to two decimal places.
(use $\pi = 3.14$)

1)



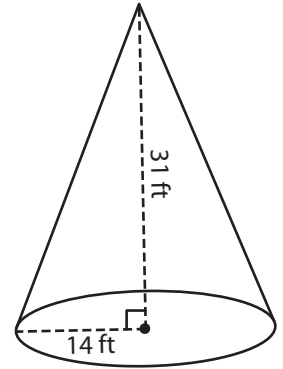
Surface Area = _____

2)

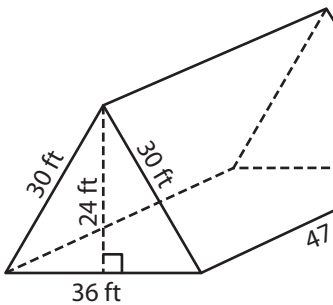


Surface Area = _____

3)



4)



Surface Area = _____

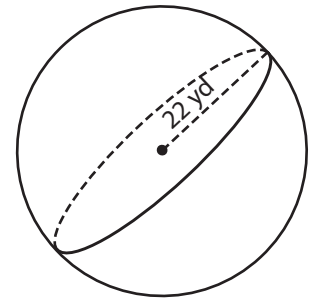
PREVIEW

Gain complete access to the largest collection of worksheets in all subjects!

Members, please log in to download this worksheet.

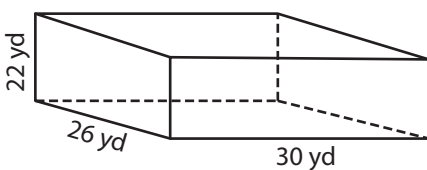
Not a member? Please sign up to gain complete access.

www.mathworksheets4kids.com

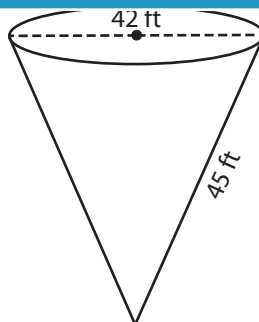


Surface Area = _____

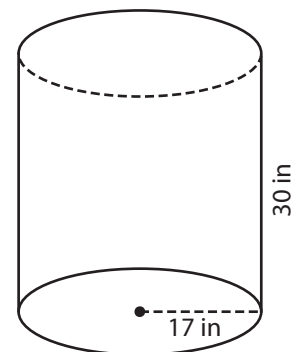
7)



Surface Area = _____



Surface Area = _____



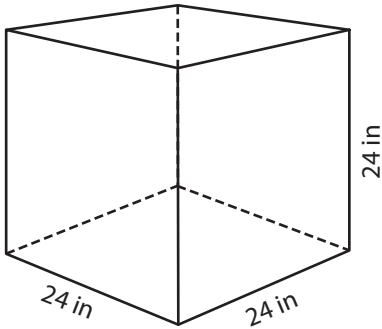
Surface Area = _____

Name : _____

Surface Area of Mixed Shapes

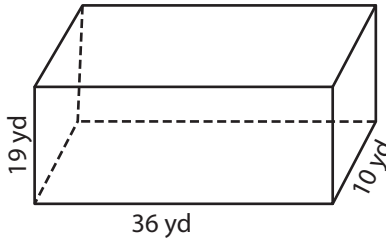
Find the surface area of each shape. Round your answer to two decimal places.
(use $\pi = 3.14$)

1)



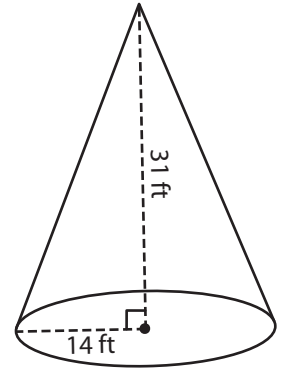
Surface Area = 3,456

2)

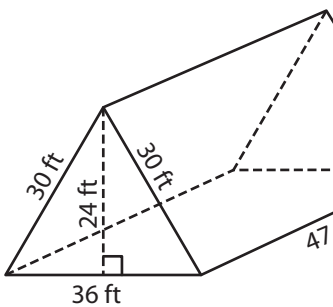


Surface Area = 2,110.73 ft²

3)



4)



Surface Area = 5,376

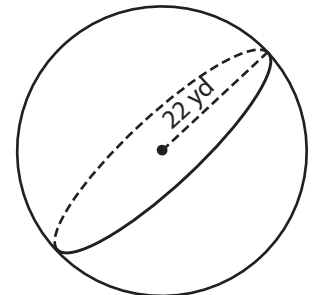
PREVIEW

Gain complete access to the largest collection of worksheets in all subjects!

Members, please log in to download this worksheet.

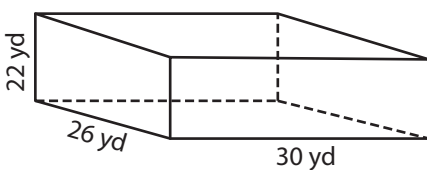
Not a member? Please sign up to gain complete access.

www.mathworksheets4kids.com

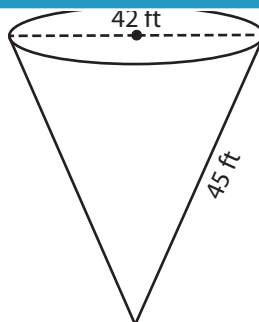


Surface Area = 6,079.04 yd²

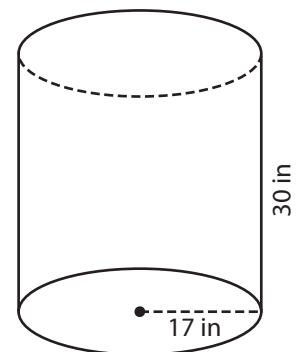
7)



Surface Area = 4,024 yd²



Surface Area = 4,352.04 ft²



Surface Area = 5,017.72 in²