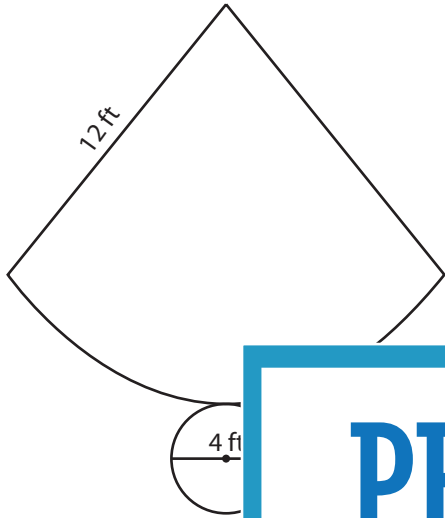


Name : \_\_\_\_\_

# Surface Area of Solids using Nets

Identify the shape that each net represents, and find its surface area. (use  $\pi = 3.14$ )

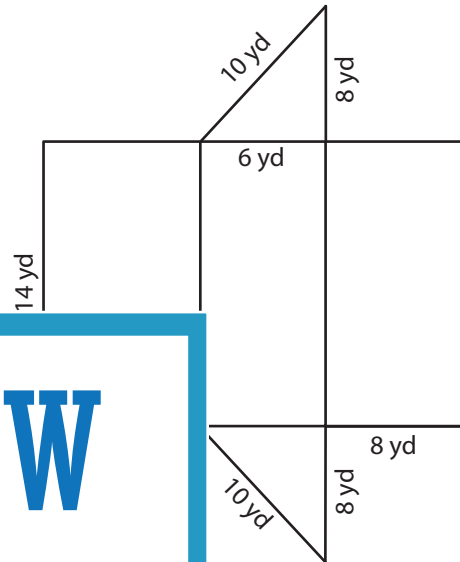
1)



Shape: \_\_\_\_\_

Surface Area = \_\_\_\_\_

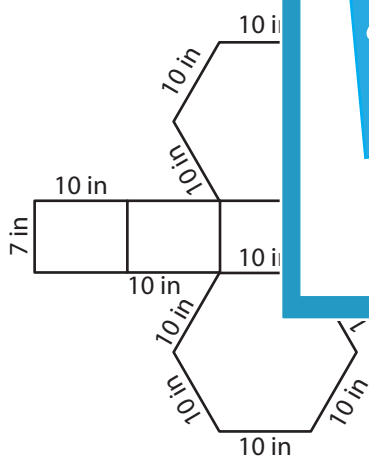
2)



Shape: \_\_\_\_\_

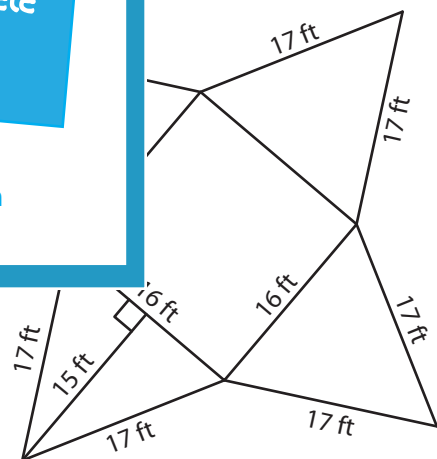
Surface Area = \_\_\_\_\_

3)



Shape: \_\_\_\_\_

Surface Area = \_\_\_\_\_



Shape: \_\_\_\_\_

Surface Area = \_\_\_\_\_

**PREVIEW**

Gain complete access to the largest collection of worksheets in all subjects!

Members, please log in to download this worksheet.

Not a member? Please sign up to gain complete access.

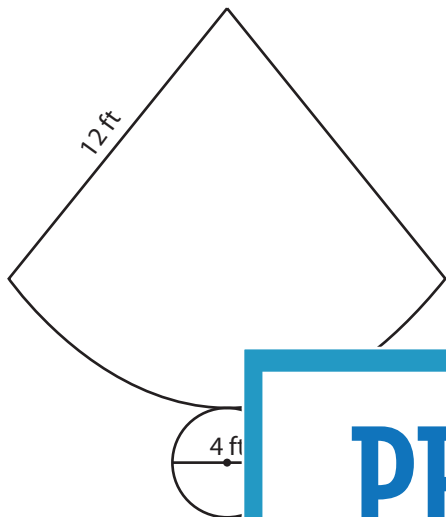
[www.mathworksheets4kids.com](http://www.mathworksheets4kids.com)

Name : \_\_\_\_\_

**Surface Area of Solids using Nets**

Identify the shape that each net represents, and find its surface area. (use  $\pi = 3.14$ )

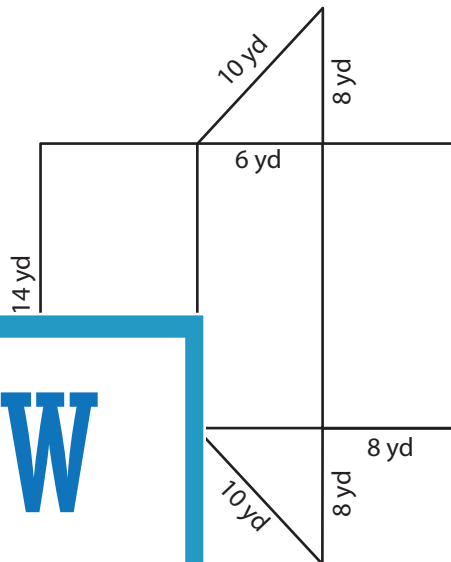
1)



Shape: \_\_\_\_\_

Surface Area = \_\_\_\_\_

2)



**triangular prism**

**384 yd<sup>2</sup>**

**PREVIEW**

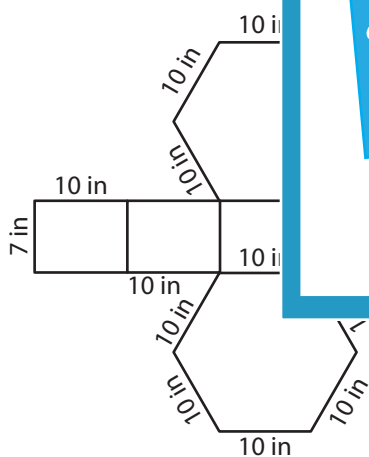
Gain complete access to the largest collection of worksheets in all subjects!

Members, please log in to download this worksheet.

Not a member? Please sign up to gain complete access.

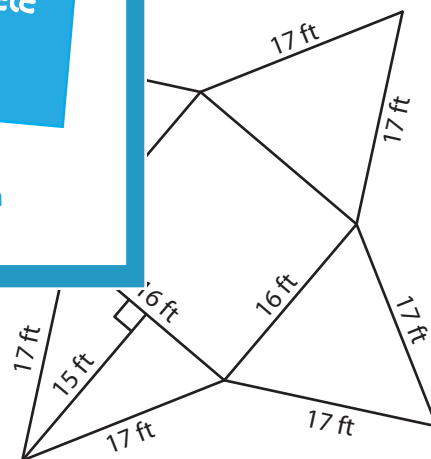
[www.mathworksheets4kids.com](http://www.mathworksheets4kids.com)

3)



Shape: **hexagonal prism**

Surface Area = **939.6 in<sup>2</sup>**



Shape: **square pyramid**

Surface Area = **736 ft<sup>2</sup>**