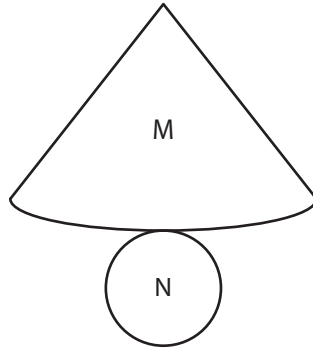
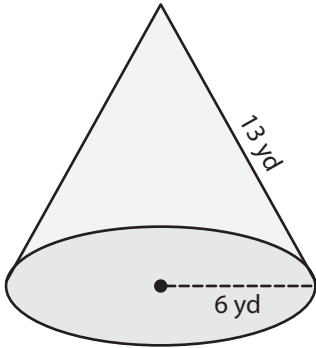


Surface Area of Solids using Nets

Using the net of each solid shape, find its surface area. (use $\pi = 3.14$)

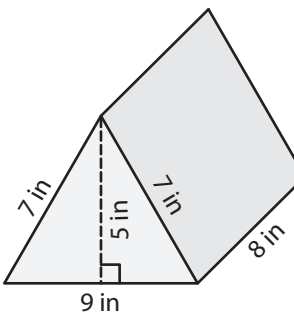
1)



Area of M = _____

Area of N = _____

2)



PREVIEW

Gain complete access to the largest collection of worksheets in all subjects!

Members, please log in to download this worksheet.

Not a member? Please sign up to gain complete access.

www.mathworksheets4kids.com

Area = _____

Area of A = _____

Area of B = _____

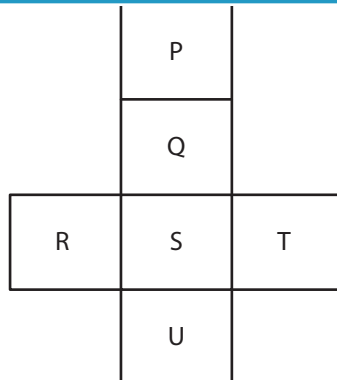
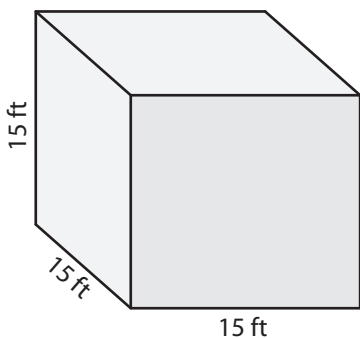
Area of C = _____

Area of D = _____

Area of E = _____

Area = _____

3)



Area of Q = _____

Area of R = _____

Area of S = _____

Area of T = _____

Area of U = _____

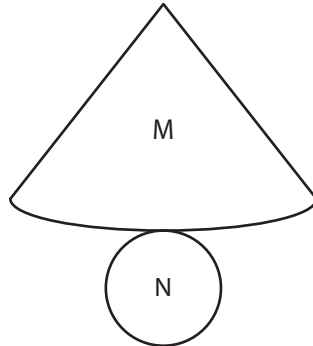
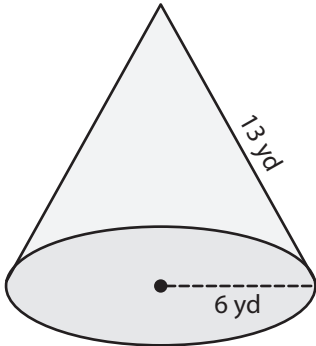
Surface Area = _____

Name : _____

Surface Area of Solids using Nets

Using the net of each solid shape, find its surface area. (use $\pi = 3.14$)

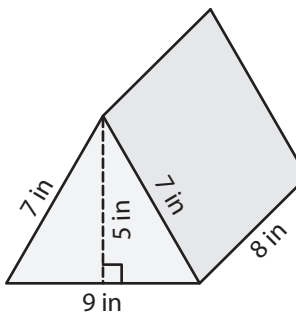
1)



Area of M = 244.92 yd²

Area of N = 113.04 yd²

2)



PREVIEW

Gain complete access to the largest collection of worksheets in all subjects!

Members, please log in to download this worksheet.

Not a member? Please sign up to gain complete access.

www.mathworksheets4kids.com

Area = 357.96 yd²

Area of A = 22.5 in²

Area of B = 56 in²

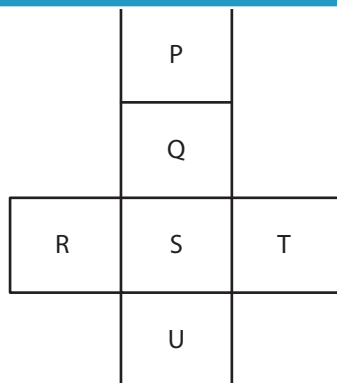
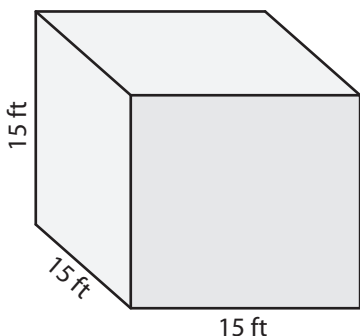
Area of C = 72 in²

Area of D = 56 in²

Area of E = 22.5 in²

Area = 229 in²

3)



Area of P = 225 ft²

Area of Q = 225 ft²

Area of R = 225 ft²

Area of S = 225 ft²

Area of T = 225 ft²

Area of U = 225 ft²

Surface Area = 1,350 ft²