

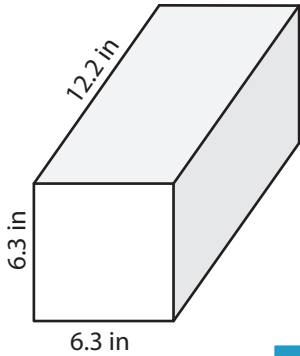
Name : _____

Decimals: L2S1

Surface Area of Prisms & Cylinders

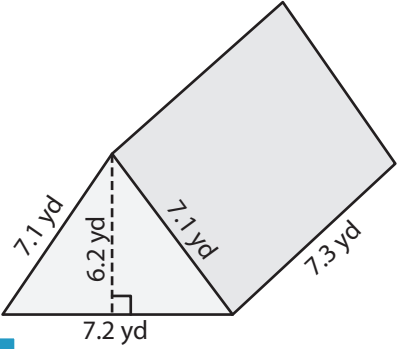
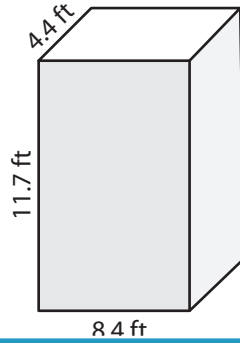
Find the surface area of each shape. Round your answer to two decimal places.
(use $\pi = 3.14$)

1)



Surface Area = _____

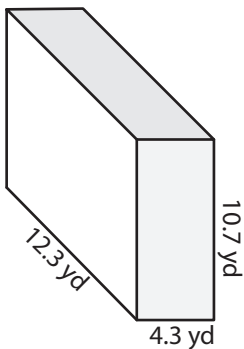
2)



3)

Surface Area = _____

4)



Surface Area = _____

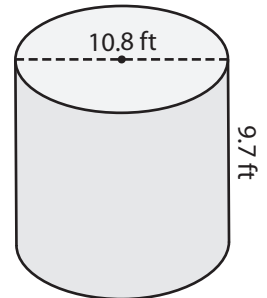
PREVIEW

Gain complete access to the largest collection of worksheets in all subjects!

Members, please log in to download this worksheet.

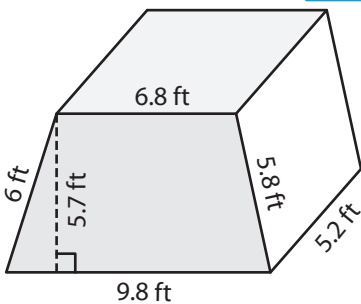
Not a member? Please sign up to gain complete access.

www.mathworksheets4kids.com

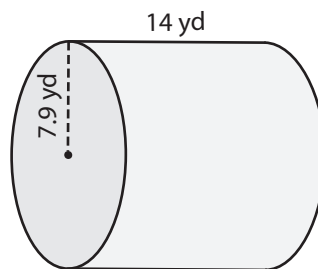


Surface Area = _____

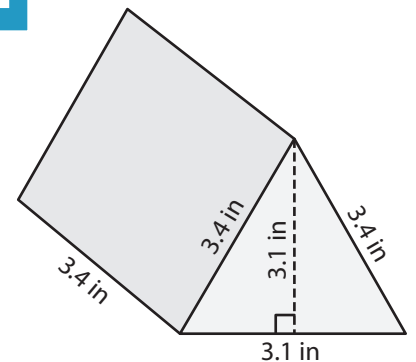
7)



Surface Area = _____



Surface Area = _____



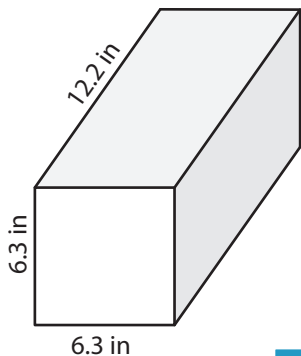
Surface Area = _____

Name : _____

Surface Area of Prisms & Cylinders

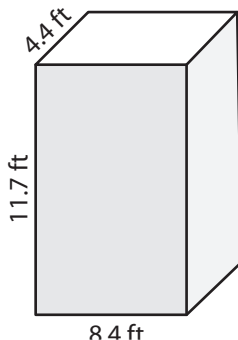
Find the surface area of each shape. Round your answer to two decimal places.
(use $\pi = 3.14$)

1)

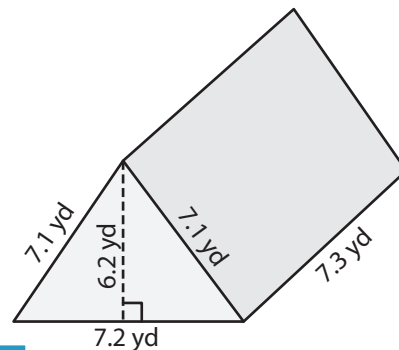


Surface Area = 386.82

2)

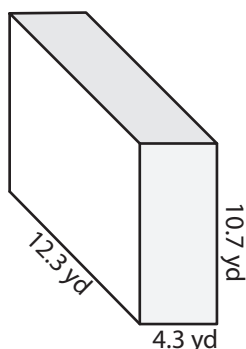


3)



Surface Area = 200.86 yd²

4)



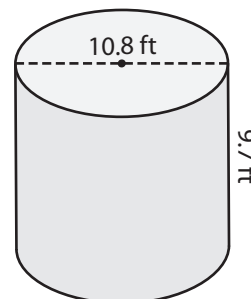
Surface Area = 461.02

Gain complete access to the largest collection of worksheets in all subjects!

Members, please log in to download this worksheet.

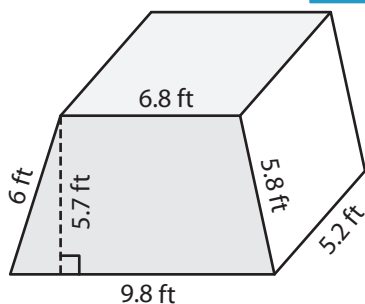
Not a member? Please sign up to gain complete access.

www.mathworksheets4kids.com

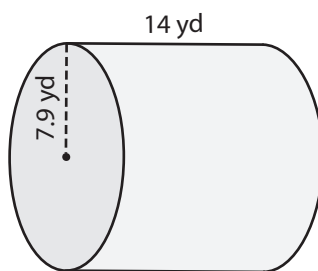


Surface Area = 512.07 ft²

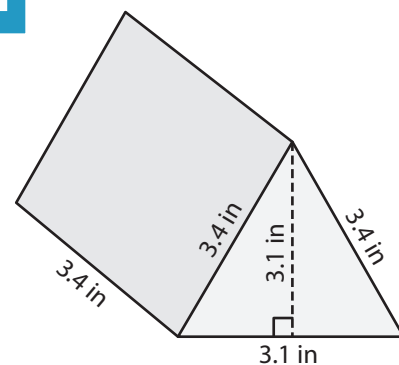
7)



Surface Area = 242.3 ft²



Surface Area = 1,086.5 yd²



Surface Area = 43.27 in²