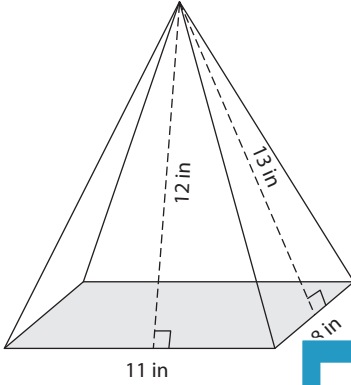


# Surface Area of Rectangular Pyramids

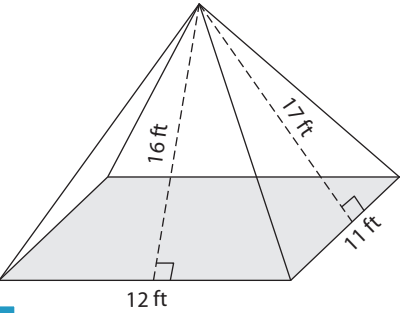
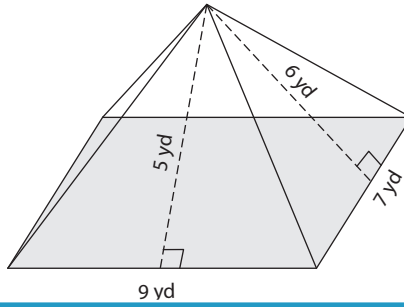
Find the surface area of each rectangular pyramid.

1)



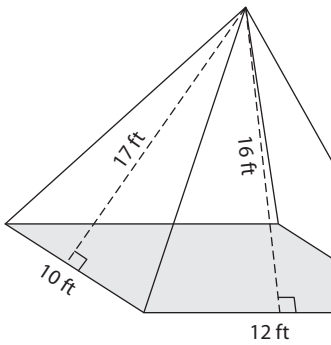
Surface Area = \_\_\_\_\_

2)

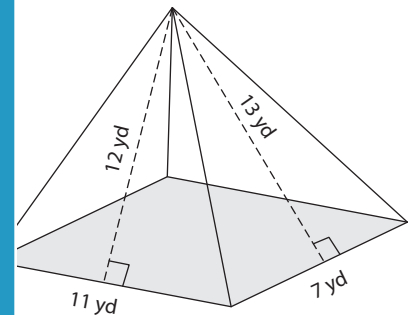


Surface Area = \_\_\_\_\_

4)

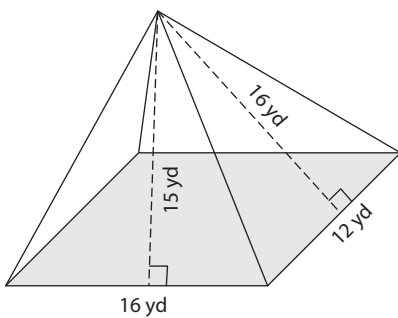


Surface Area = \_\_\_\_\_

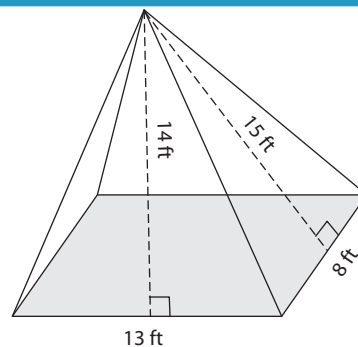


Surface Area = \_\_\_\_\_

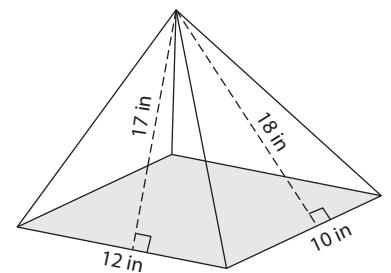
7)



Surface Area = \_\_\_\_\_



Surface Area = \_\_\_\_\_



Surface Area = \_\_\_\_\_

## PREVIEW

Gain complete access to the largest collection of worksheets in all subjects!

Members, please log in to download this worksheet.

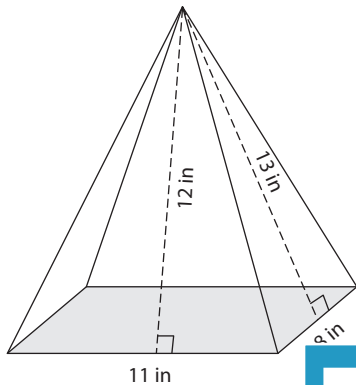
Not a member? Please sign up to gain complete access.

[www.mathworksheets4kids.com](http://www.mathworksheets4kids.com)

# Surface Area of Rectangular Pyramids

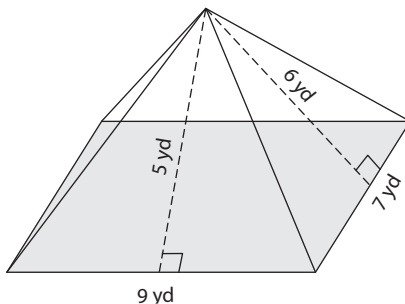
Find the surface area of each rectangular pyramid.

1)

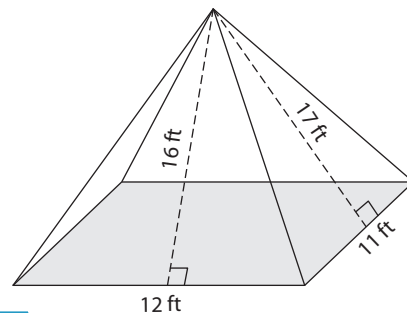


Surface Area = 324 in<sup>2</sup>

2)

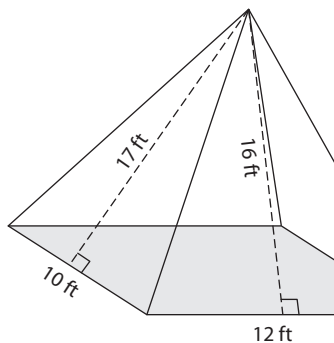


3)



Surface Area = 511 ft<sup>2</sup>

4)



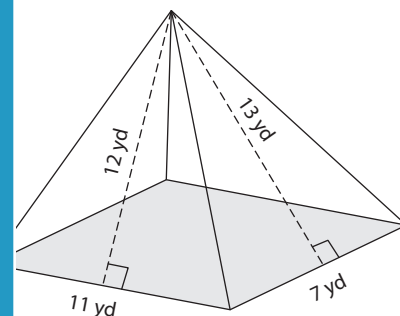
Surface Area = 482 ft<sup>2</sup>

Gain complete access to the largest collection of worksheets in all subjects!

Members, please log in to download this worksheet.

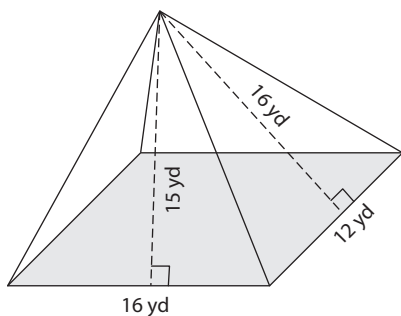
Not a member? Please sign up to gain complete access.

[www.mathworksheets4kids.com](http://www.mathworksheets4kids.com)

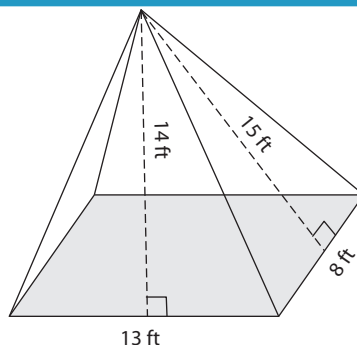


Surface Area = 300 yd<sup>2</sup>

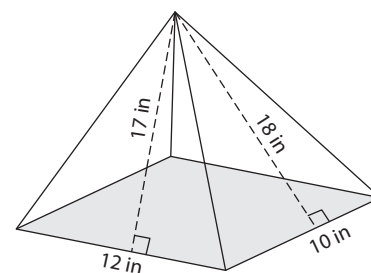
7)



Surface Area = 624 yd<sup>2</sup>



Surface Area = 406 ft<sup>2</sup>



Surface Area = 504 in<sup>2</sup>