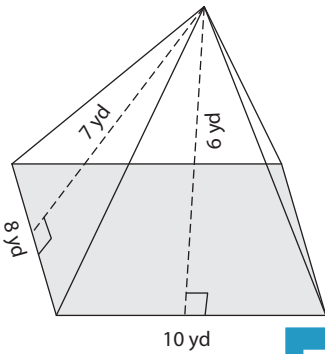


Surface Area of Rectangular Pyramids

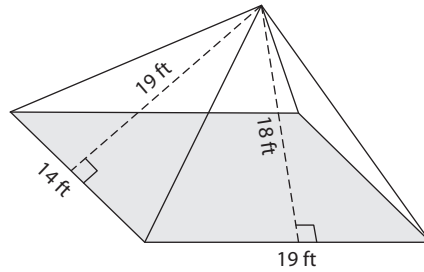
Find the surface area of each rectangular pyramid.

1)

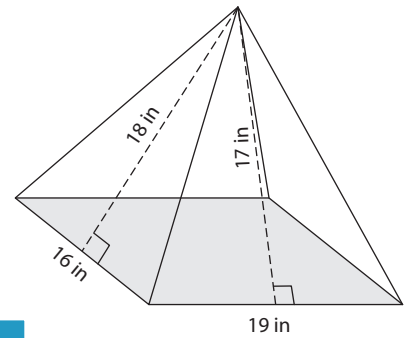


Surface Area = _____

2)

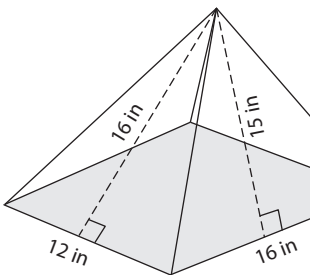


3)



Surface Area = _____

4)



Surface Area = _____

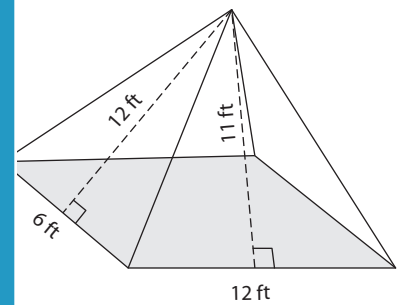
PREVIEW

Gain complete access to the largest collection of worksheets in all subjects!

Members, please log in to download this worksheet.

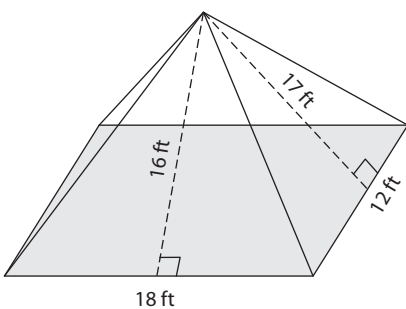
Not a member? Please sign up to gain complete access.

www.mathworksheets4kids.com

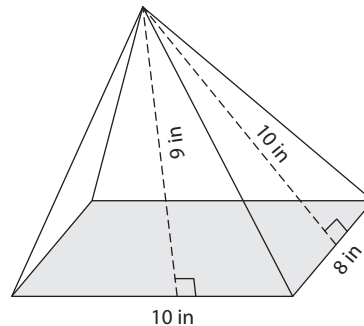


Surface Area = _____

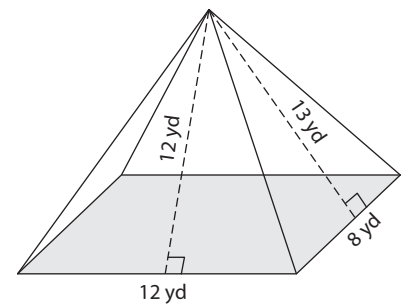
7)



Surface Area = _____



Surface Area = _____



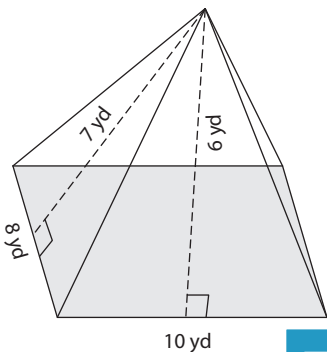
Surface Area = _____

Name : _____

Surface Area of Rectangular Pyramids

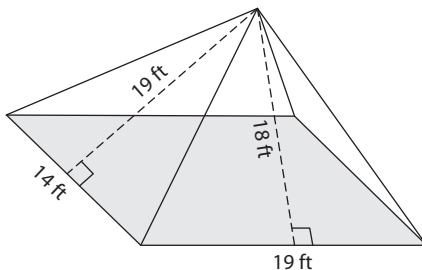
Find the surface area of each rectangular pyramid.

1)

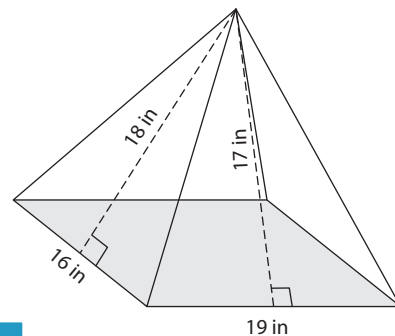


Surface Area = 196 y

2)

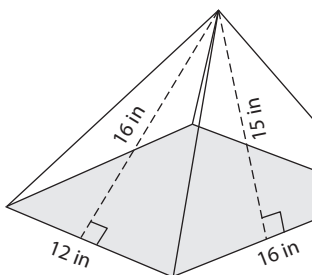


3)



Surface Area = 915 in²

4)



Surface Area = 624 in²

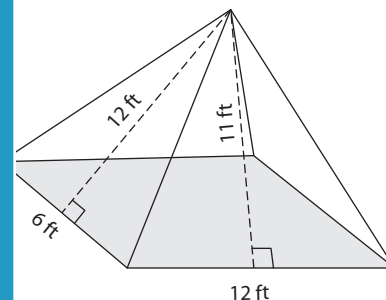
PREVIEW

Gain complete access to the largest collection of worksheets in all subjects!

Members, please log in to download this worksheet.

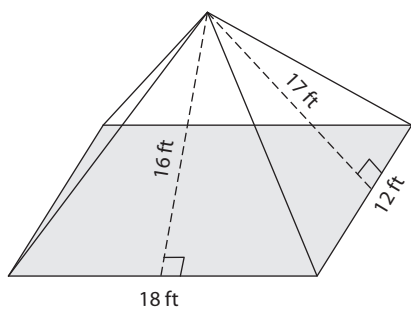
Not a member? Please sign up to gain complete access.

www.mathworksheets4kids.com

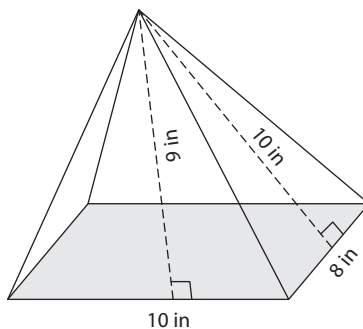


Surface Area = 276 ft²

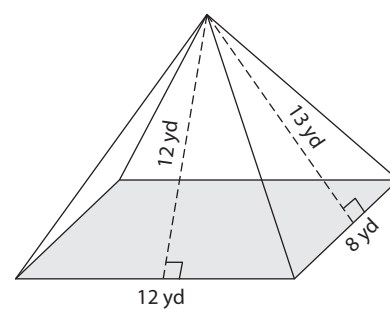
7)



Surface Area = 708 ft²



Surface Area = 250 in²



Surface Area = 344 yd²