

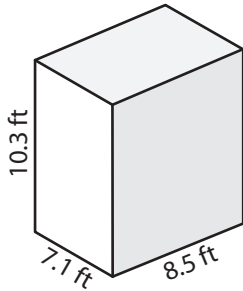
Name : _____

Decimals: S1

Surface Area - Rectangular Prism

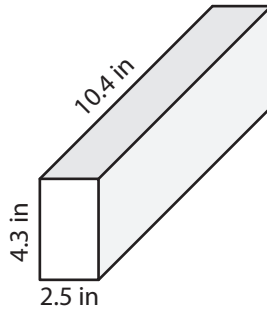
Find the surface area of each rectangular prism.

1)



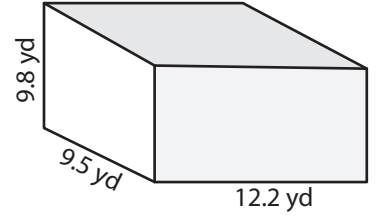
Surface Area = _____

2)



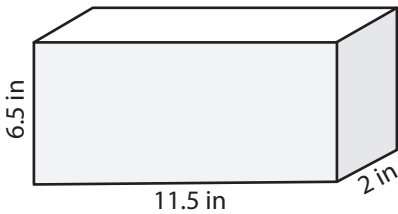
Surface Area = _____

3)



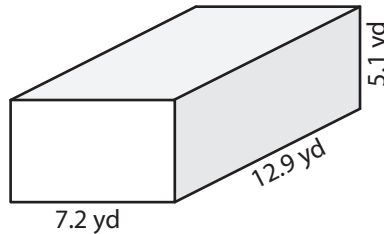
Surface Area = _____

4)



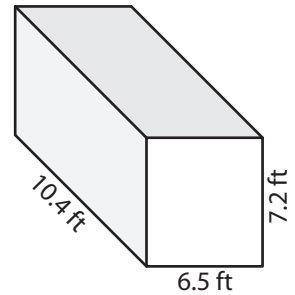
Surface Area = _____

5)



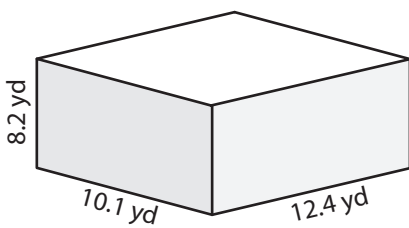
Surface Area = _____

6)



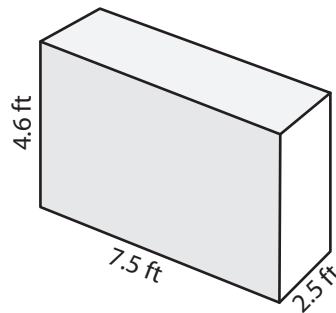
Surface Area = _____

7)



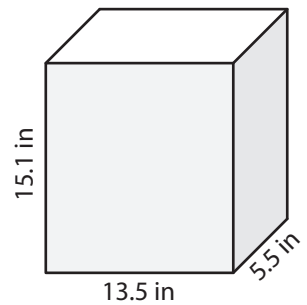
Surface Area = _____

8)



Surface Area = _____

9)



Surface Area = _____

- 10) The length, width, and height of a wooden box are 12.3 inches, 6.4 inches, and 7.5 inches respectively. Find the surface area of the box.

Surface Area = _____

Answer key

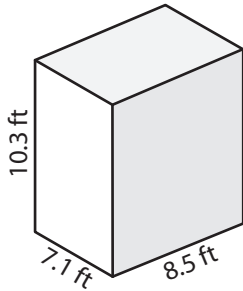
Name : _____

Decimals: S1

Surface Area - Rectangluar Prism

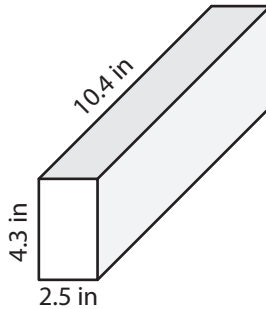
Find the surface area of each rectangular prism.

1)



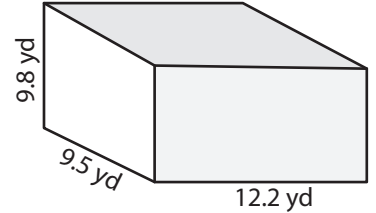
Surface Area = 442.06 ft²

2)



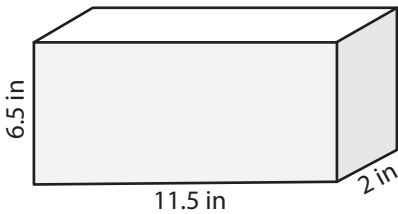
Surface Area = 162.94 in²

3)



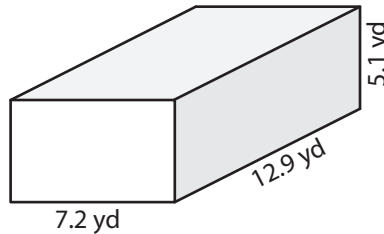
Surface Area = 657.12 yd²

4)



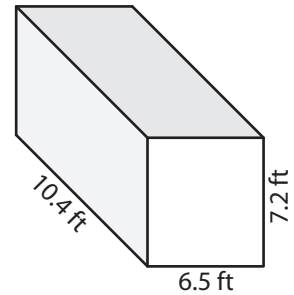
Surface Area = 221.5 in²

5)



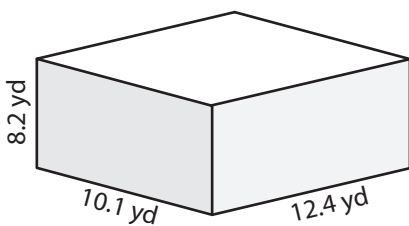
Surface Area = 390.78 yd²

6)



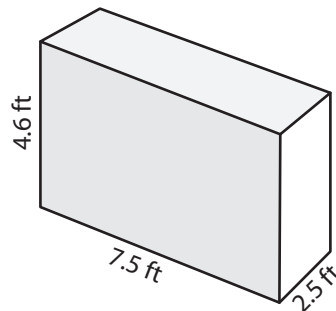
Surface Area = 378.56 ft²

7)



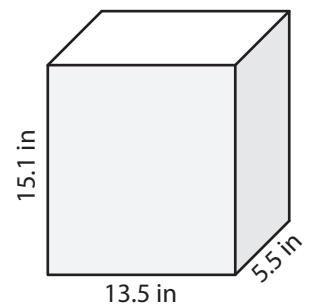
Surface Area = 619.48 yd²

8)



Surface Area = 129.5 ft²

9)



Surface Area = 722.3 in²

10) The length, width, and height of a wooden box are 12.3 inches, 6.4 inches, and 7.5 inches respectively. Find the surface area of the box.

Surface Area = 437.94 square inches