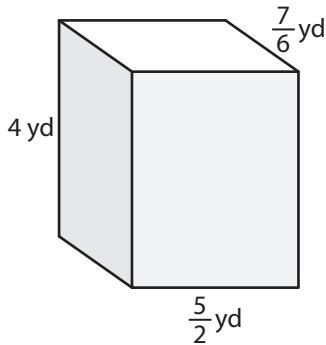


Name : \_\_\_\_\_

## Surface Area - Rectangular Prism

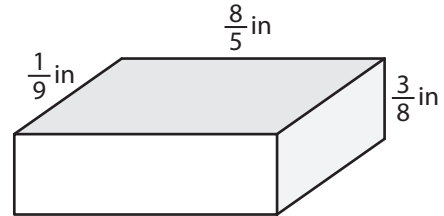
A) Find the surface area of each rectangular prism.

1)



Surface Area = \_\_\_\_\_

2)



Surface Area = \_\_\_\_\_

B) Find the surface area

given parameters.

3) width =  $\frac{2}{7}$  ft, height =  $\frac{7}{5}$

length = 3 in, and

length =  $5\frac{5}{6}$  ft

Surface Area = \_\_\_\_\_

5) length =  $4\frac{1}{2}$  yd, width =

height =  $\frac{8}{3}$  ft, and

height =  $\frac{7}{3}$  yd

Surface Area = \_\_\_\_\_

Surface Area = \_\_\_\_\_

C) Find the surface area of a rectangular prism whose length, width, height are  $\frac{7}{2}$  inches,  $\frac{8}{7}$  inches, and  $\frac{7}{8}$  inch respectively.

\_\_\_\_\_

# PREVIEW

Gain complete access to the largest collection of worksheets in all subjects!

Members, please log in to download this worksheet.

Not a member? Please sign up to gain complete access.

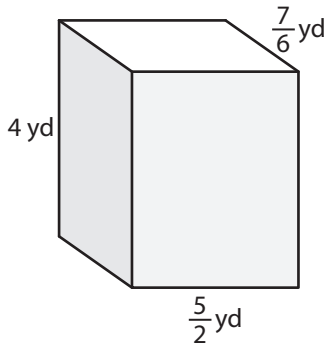
[www.mathworksheets4kids.com](http://www.mathworksheets4kids.com)

Name : \_\_\_\_\_

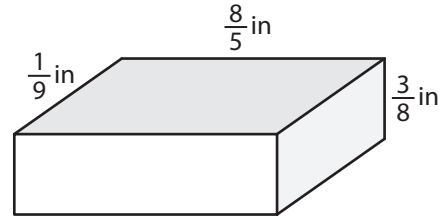
**Surface Area - Rectangluar Prism**

A) Find the surface area of each rectangular prism.

1)



2)



Surface Area =  $\frac{211}{6}$  or  $35\frac{1}{6}$

$\frac{59}{72}$  or  $1\frac{23}{36}$  in<sup>2</sup>

B) Find the surface area

given parameters.

3) width =  $\frac{2}{7}$  ft, height =  $\frac{7}{5}$

length = 3in, and

length =  $5\frac{5}{6}$  ft

# PREVIEW

Gain complete access to the largest collection of worksheets in all subjects!

Members, please log in to download this worksheet.

Not a member? Please sign up to gain complete access.

www.mathworksheets4kids.com

Surface Area =  $\frac{31}{1}$

$\frac{77}{36}$  or  $2\frac{5}{36}$  in<sup>2</sup>

5) length =  $4\frac{1}{2}$  yd, width =

height =  $\frac{8}{3}$  ft, and

height =  $\frac{7}{3}$  yd

Surface Area =  $\frac{220}{5}$  or  $45\frac{2}{5}$  yd<sup>2</sup>

Surface Area =  $398$  ft<sup>2</sup>

C) Find the surface area of a rectangular prism whose length, width, height are  $\frac{7}{2}$  inches,  $\frac{8}{7}$  inches, and  $\frac{7}{8}$  inch respectively.

$\frac{129}{8}$  or  $16\frac{1}{8}$  square inches