

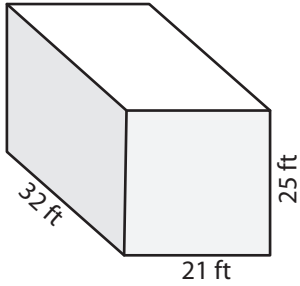
Name : _____

Integers: MS3

Surface Area - Rectangular Prism

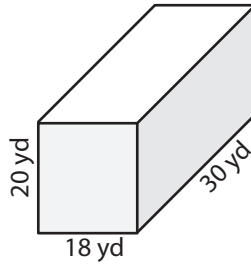
Find the surface area of each rectangular prism.

1)



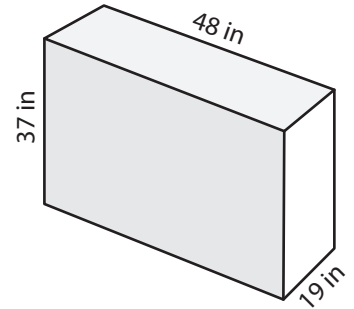
Surface Area = _____

2)



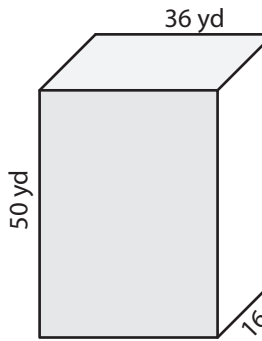
Surface Area = _____

3)



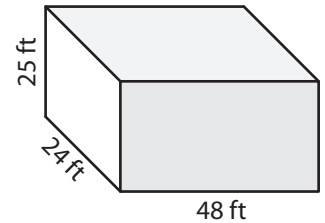
Surface Area = _____

4)



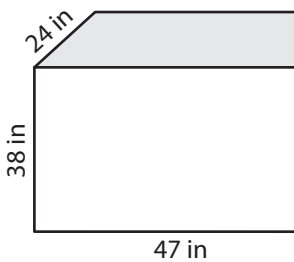
Surface Area = _____

PREVIEW
Gain complete access to the largest collection of worksheets in all subjects!



Surface Area = _____

7)

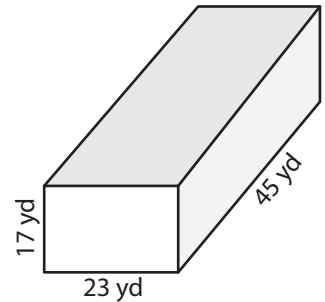


Surface Area = _____

Members, please log in to download this worksheet.

Not a member? Please sign up to gain complete access.

www.mathworksheets4kids.com



Surface Area = _____

- 10) Jamie wraps a rectangular box with paper. If the box is 5 feet long, 2 feet wide, and 6 feet tall, how much paper is required?

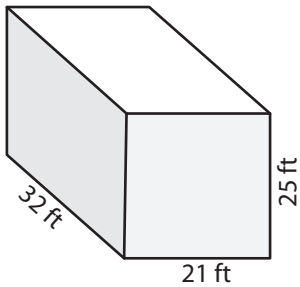
Paper needed: _____

Name : _____

Surface Area - Rectangluar Prism

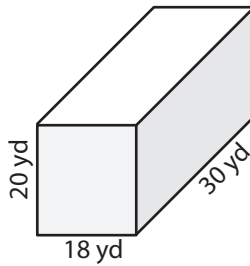
Find the surface area of each rectangular prism.

1)



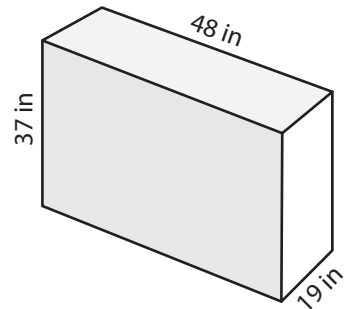
Surface Area = 3,994 ft²

2)



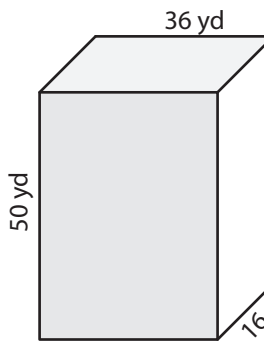
Surface Area = 3,000 yd²

3)

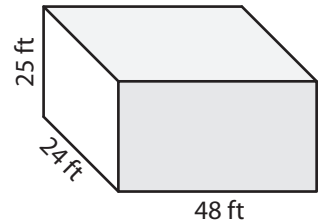


Surface Area = 6,782 in²

4)

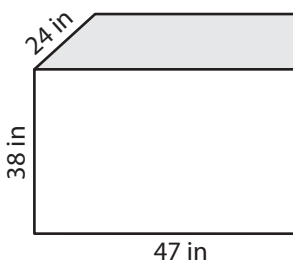


Surface Area = 6,352 yd²

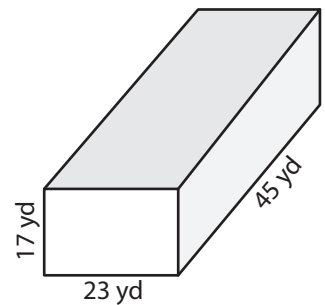


Surface Area = 5,904 ft²

7)



Surface Area = 7,652 in²



Surface Area = 5,894 ft²

Surface Area = 4,382 yd²

PREVIEW

Gain complete access to the largest collection of worksheets in all subjects!

Members, please log in to download this worksheet.

Not a member? Please sign up to gain complete access.

www.mathworksheets4kids.com

10) Jamie wraps a rectangular box with paper. If the box is 5 feet long, 2 feet wide, and 6 feet tall, how much paper is required?

Paper needed: 104 square feet