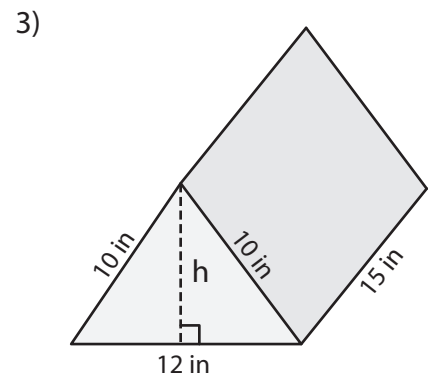
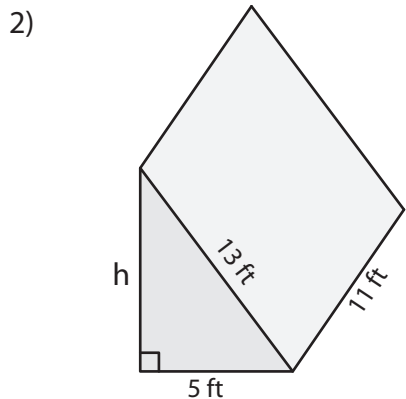
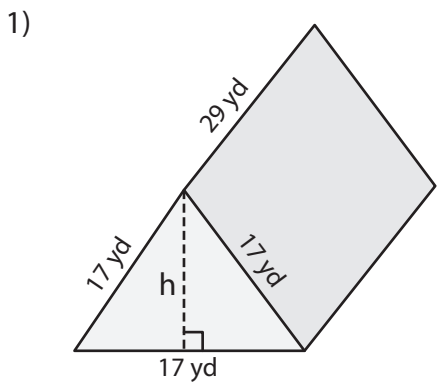


Surface Area - Triangular Prisms

Find the height and calculate the surface area of each triangular prism. Round your answer to two decimal places.

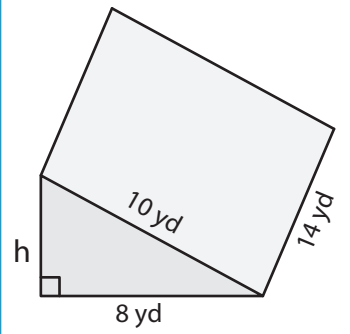
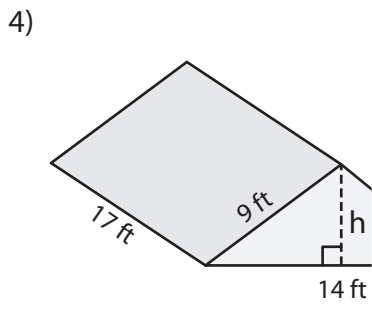


Height (h) = _____

Surface Area = _____

Height (h) = _____

Surface Area = _____

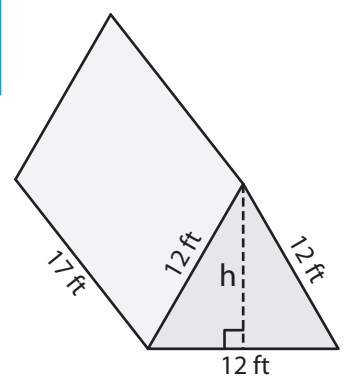
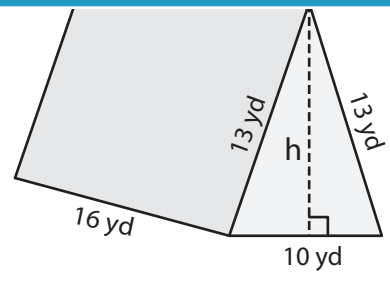
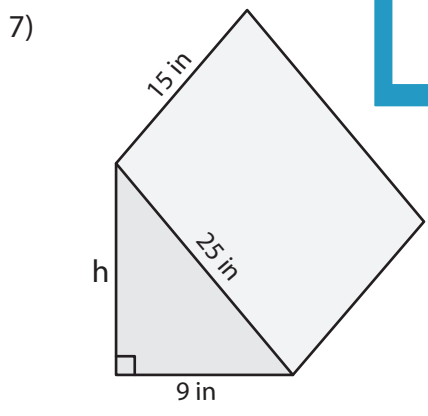


Height (h) = _____

Surface Area = _____

Height (h) = _____

Surface Area = _____



Height (h) = _____

Surface Area = _____

Height (h) = _____

Surface Area = _____

Height (h) = _____

Surface Area = _____

PREVIEW

Gain complete access to the largest collection of worksheets in all subjects!

Members, please log in to download this worksheet.

Not a member? Please sign up to gain complete access.

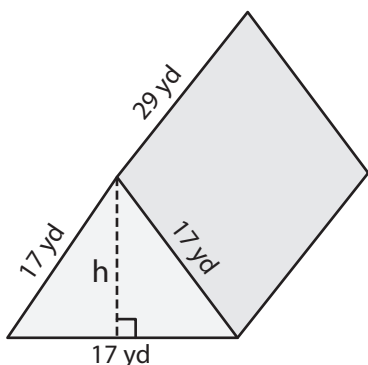
www.mathworksheets4kids.com

Name : _____

Surface Area - Triangular Prisms

Find the height and calculate the surface area of each triangular prism. Round your answer to two decimal places.

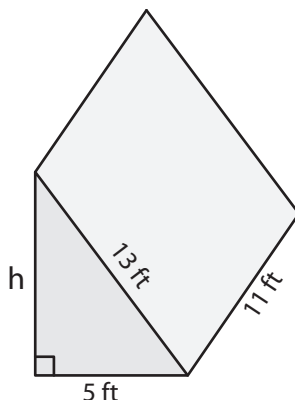
1)



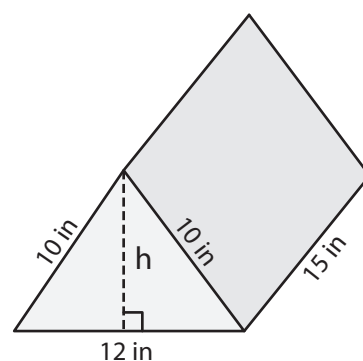
Height (h) = 14.72

Surface Area = 1,729.24

2)



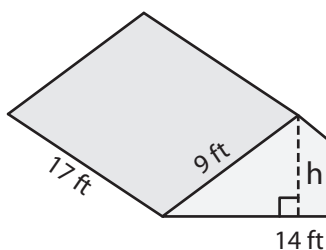
3)



Height (h) = 8 in

Surface Area = 576 in²

4)



Height (h) = 5.66 f

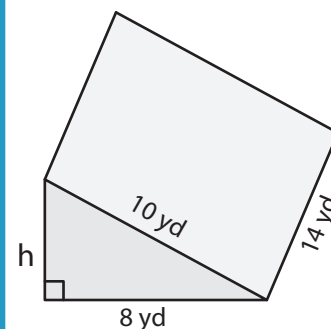
Surface Area = 623.24

Gain complete access to the largest collection of worksheets in all subjects!

Members, please log in to download this worksheet.

Not a member? Please sign up to gain complete access.

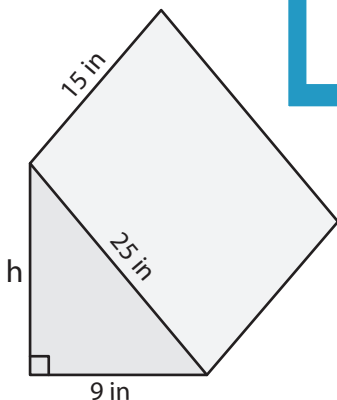
www.mathworksheets4kids.com



Height (h) = 6 yd

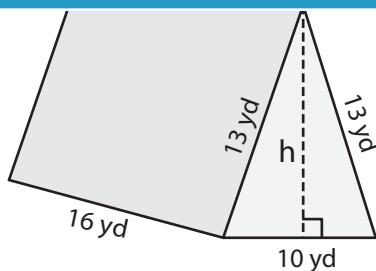
Surface Area = 384 yd²

7)



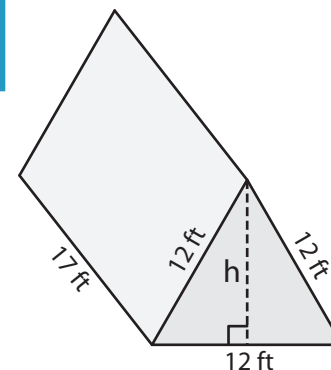
Height (h) = 23.32 in

Surface Area = 1,069.68 in²



Height (h) = 12 yd

Surface Area = 696 yd²



Height (h) = 10.39 ft

Surface Area = 736.68 ft²