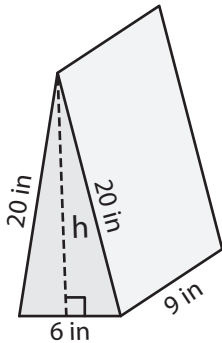


# Surface Area - Triangular Prisms

Find the height and calculate the surface area of each triangular prism. Round your answer to two decimal places.

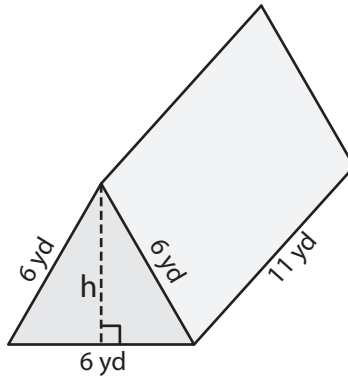
1)



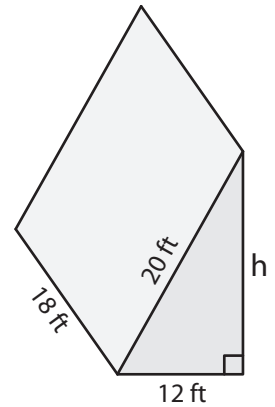
Height (h) = \_\_\_\_\_

Surface Area = \_\_\_\_\_

2)



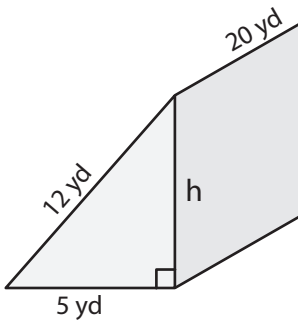
3)



Height (h) = \_\_\_\_\_

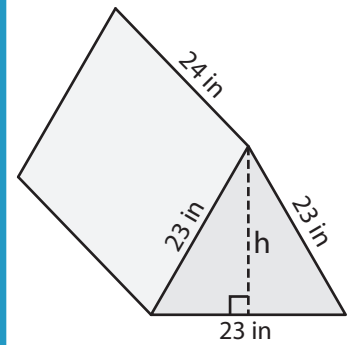
Surface Area = \_\_\_\_\_

4)



Height (h) = \_\_\_\_\_

Surface Area = \_\_\_\_\_



Height (h) = \_\_\_\_\_

Surface Area = \_\_\_\_\_

## PREVIEW

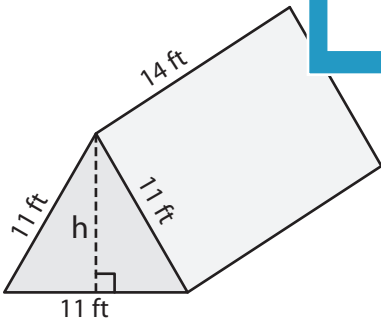
Gain complete access to the largest collection of worksheets in all subjects!

Members, please log in to download this worksheet.

Not a member? Please sign up to gain complete access.

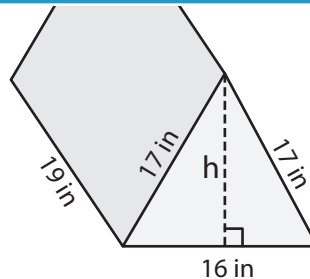
www.mathworksheets4kids.com

7)



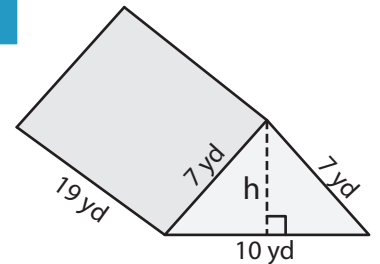
Height (h) = \_\_\_\_\_

Surface Area = \_\_\_\_\_



Height (h) = \_\_\_\_\_

Surface Area = \_\_\_\_\_



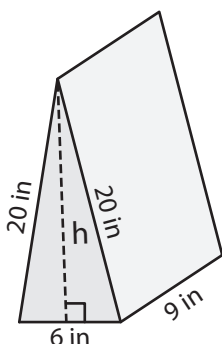
Height (h) = \_\_\_\_\_

Surface Area = \_\_\_\_\_

# Surface Area - Triangular Prisms

Find the height and calculate the surface area of each triangular prism. Round your answer to two decimal places.

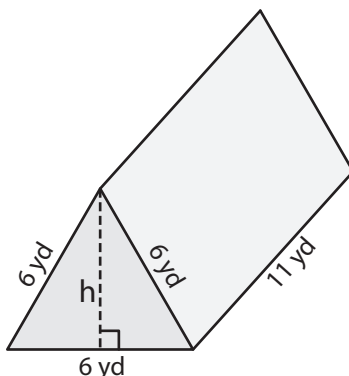
1)



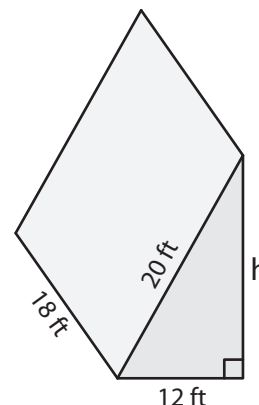
Height (h) = 19.77

Surface Area = 532.62

2)



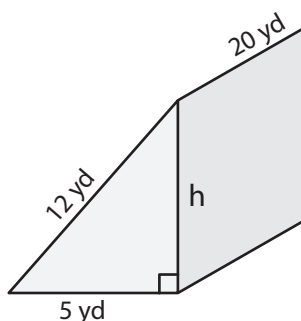
3)



Height (h) = 16 ft

Surface Area = 1,056 ft<sup>2</sup>

4)



Height (h) = 10.91

Surface Area = 612.75

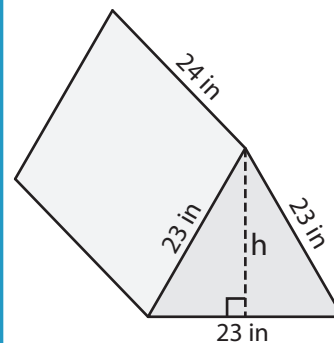
**PREVIEW**

Gain complete access to the largest collection of worksheets in all subjects!

Members, please log in to download this worksheet.

Not a member? Please sign up to gain complete access.

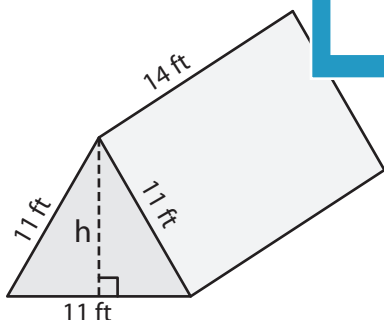
[www.mathworksheets4kids.com](http://www.mathworksheets4kids.com)



Height (h) = 19.92 in

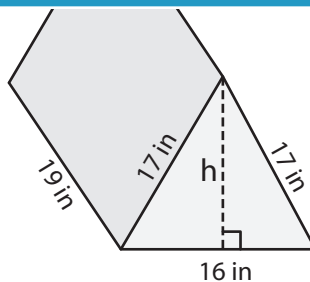
Surface Area = 2,114.16 in<sup>2</sup>

7)



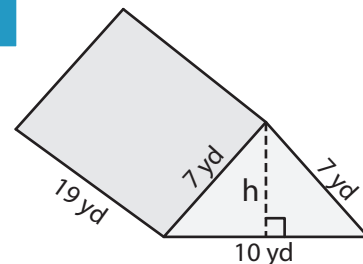
Height (h) = 9.53 ft

Surface Area = 566.83 ft<sup>2</sup>



Height (h) = 15 in

Surface Area = 1,190 in<sup>2</sup>



Height (h) = 4.9 yd

Surface Area = 505 yd<sup>2</sup>