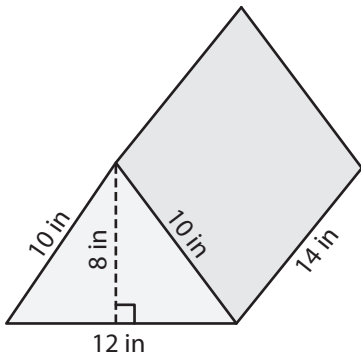


Name : \_\_\_\_\_

# Surface Area of Triangular Prisms

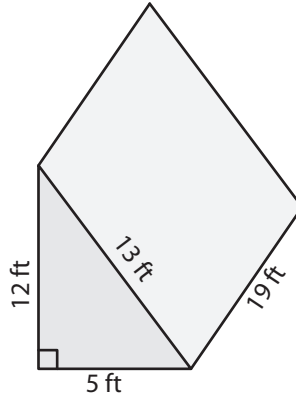
Find the surface area of each triangular prism.

1)



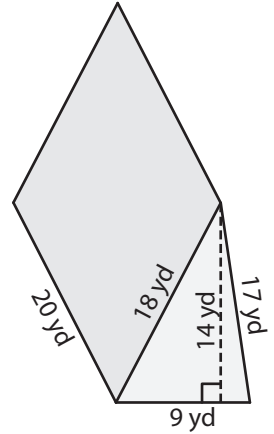
Surface Area = \_\_\_\_\_

2)



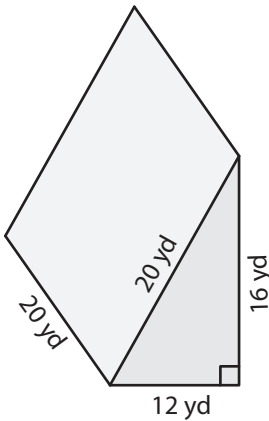
Surface Area = \_\_\_\_\_

3)



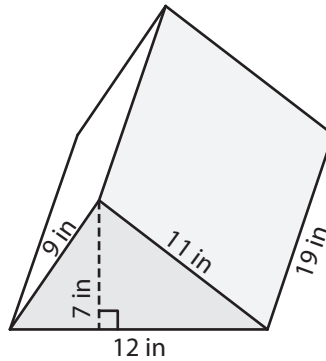
Surface Area = \_\_\_\_\_

4)



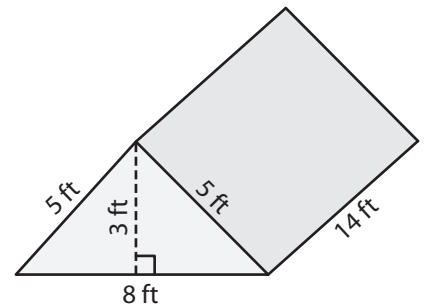
Surface Area = \_\_\_\_\_

5)



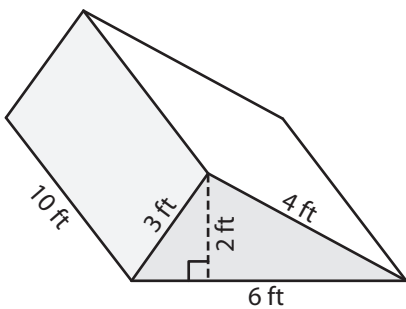
Surface Area = \_\_\_\_\_

6)



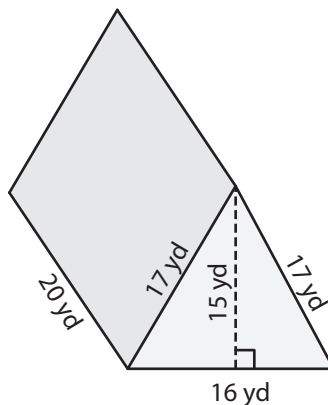
Surface Area = \_\_\_\_\_

7)



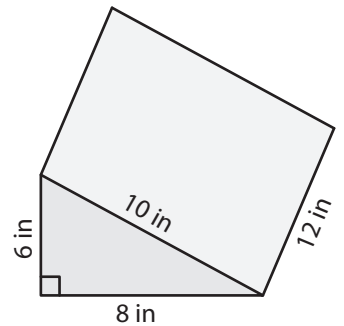
Surface Area = \_\_\_\_\_

8)



Surface Area = \_\_\_\_\_

9)



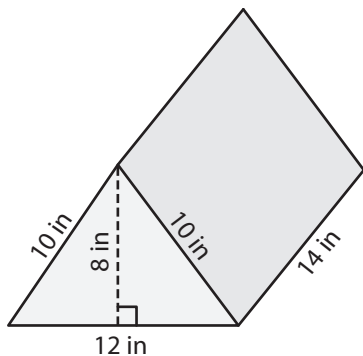
Surface Area = \_\_\_\_\_

Name : \_\_\_\_\_

## Surface Area of Triangular Prisms

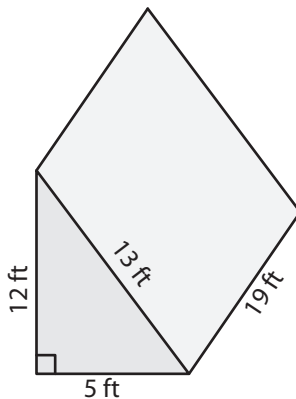
Find the surface area of each triangular prism.

1)



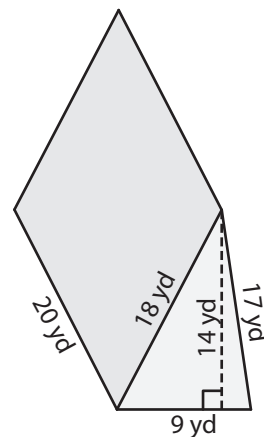
Surface Area = 544 in<sup>2</sup>

2)



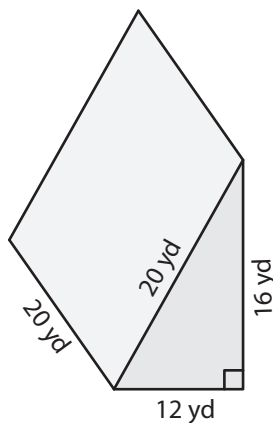
Surface Area = 630 ft<sup>2</sup>

3)



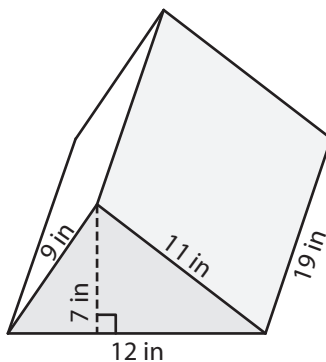
Surface Area = 1,006 yd<sup>2</sup>

4)



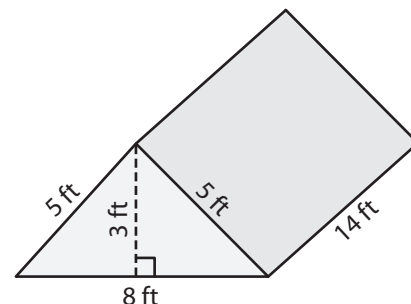
Surface Area = 1,152 yd<sup>2</sup>

5)



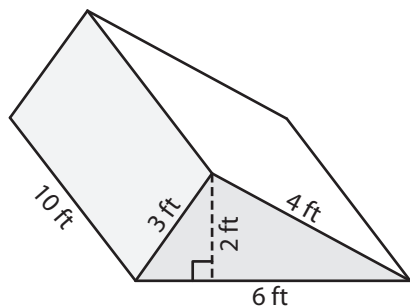
Surface Area = 692 in<sup>2</sup>

6)



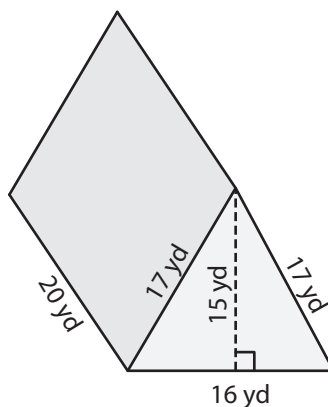
Surface Area = 276 ft<sup>2</sup>

7)



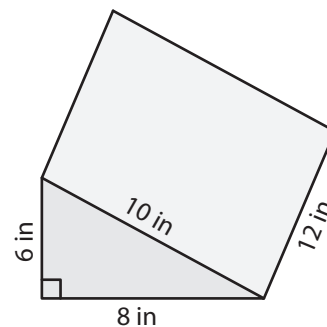
Surface Area = 142 ft<sup>2</sup>

8)



Surface Area = 1,240 yd<sup>2</sup>

9)



Surface Area = 336 in<sup>2</sup>