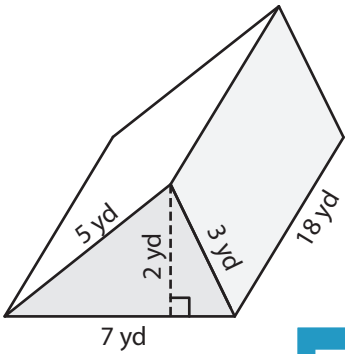


Surface Area of Triangular Prisms

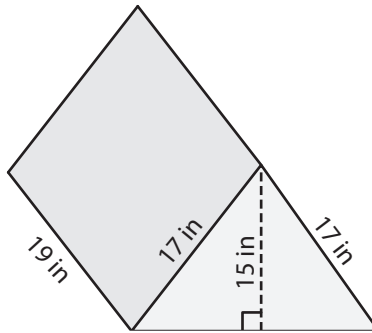
Find the surface area of each triangular prism.

1)



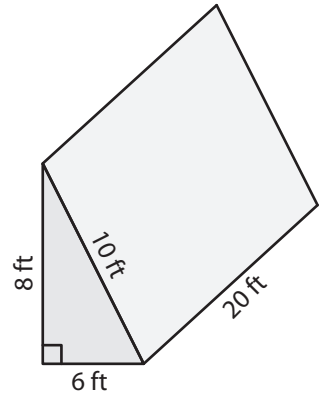
Surface Area = _____

2)

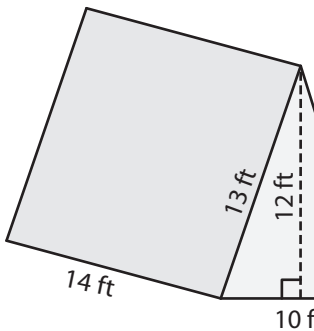


Surface Area = _____

3)



4)



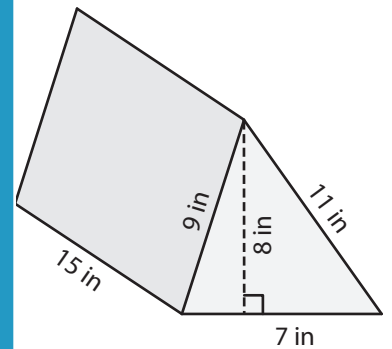
Surface Area = _____

Gain complete access to the largest collection of worksheets in all subjects!

Members, please log in to download this worksheet.

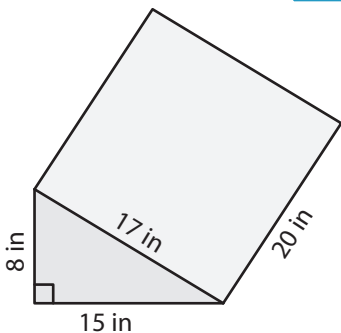
Not a member? Please sign up to gain complete access.

www.mathworksheets4kids.com

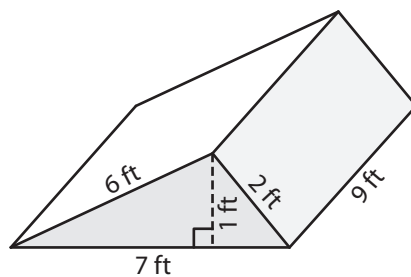


Surface Area = _____

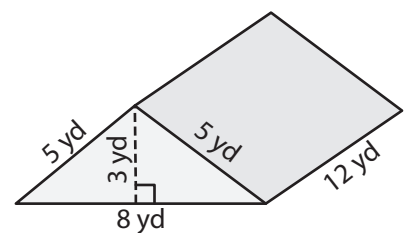
7)



Surface Area = _____



Surface Area = _____



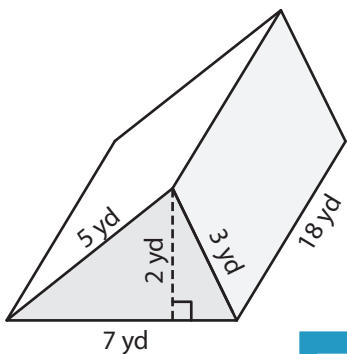
Surface Area = _____

Name : _____

Surface Area of Triangular Prisms

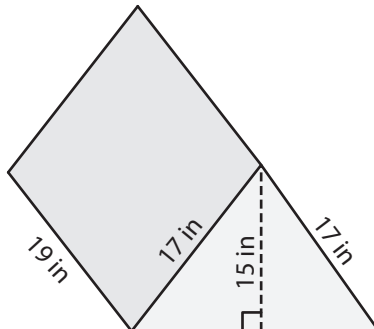
Find the surface area of each triangular prism.

1)



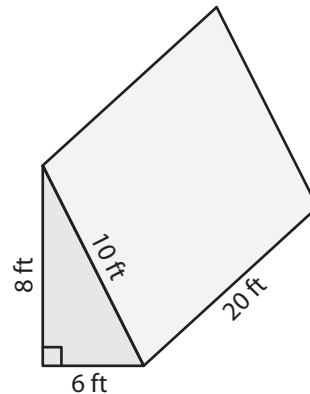
Surface Area = 284 yd²

2)

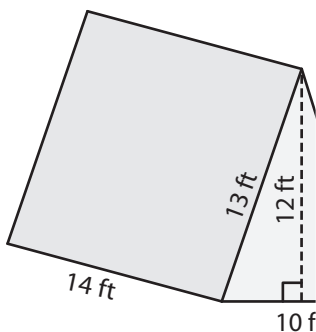


Surface Area = 528 ft²

3)



4)



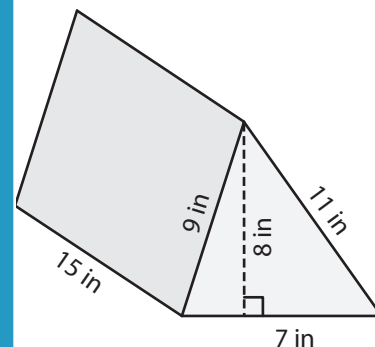
Surface Area = 624 ft²

Gain complete access to the largest collection of worksheets in all subjects!

Members, please log in to download this worksheet.

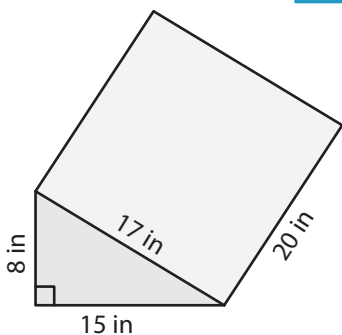
Not a member? Please sign up to gain complete access.

www.mathworksheets4kids.com

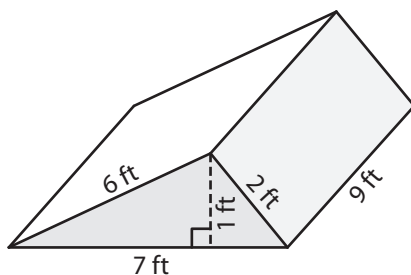


Surface Area = 461 in²

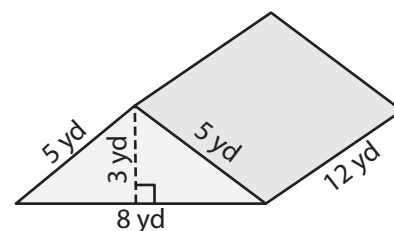
7)



Surface Area = 920 in²



Surface Area = 142 ft²



Surface Area = 240 yd²