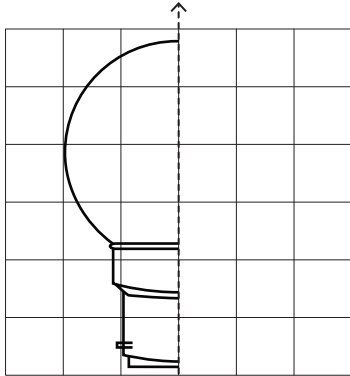


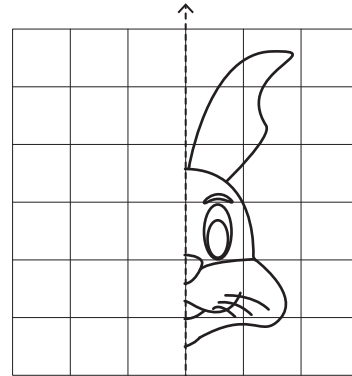
Mirror Image

Draw the other half of each symmetrical figure.

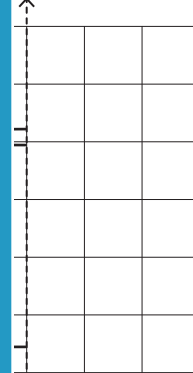
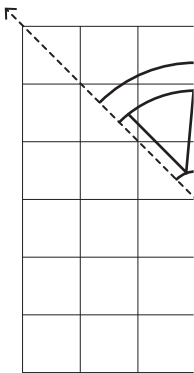
1)



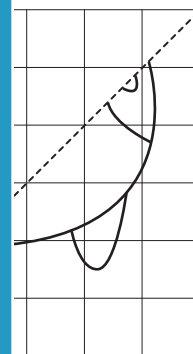
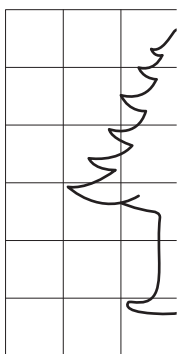
2)



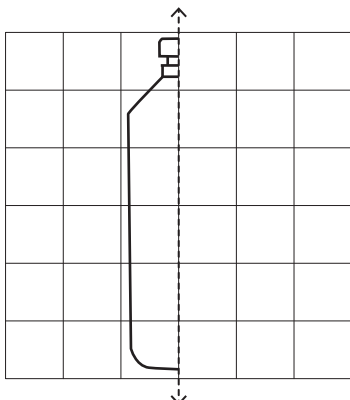
3)



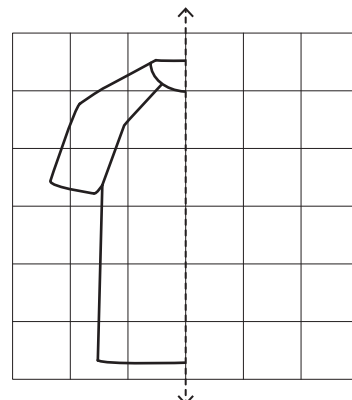
5)



7)



8)



PREVIEW

Gain complete access to the largest collection of worksheets in all subjects!

Members, please log in to download this worksheet.

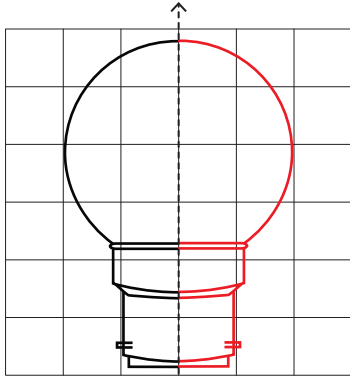
Not a member? Please sign up to gain complete access.

www.mathworksheets4kids.com

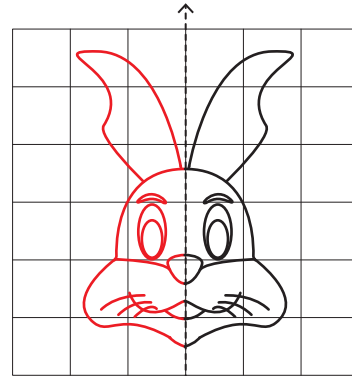
Mirror Image

Draw the other half of each symmetrical figure.

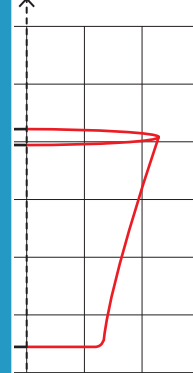
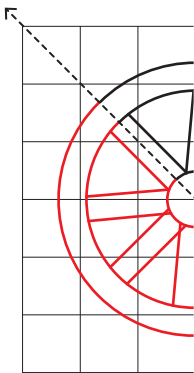
1)



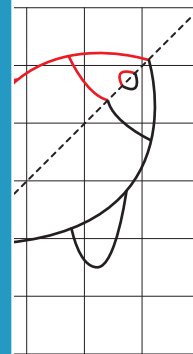
2)



3)



5)



PREVIEW

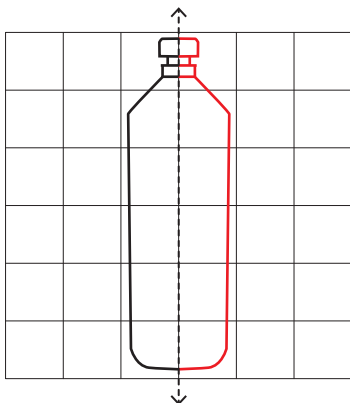
Gain complete access to the largest collection of worksheets in all subjects!

Members, please log in to download this worksheet.

Not a member? Please sign up to gain complete access.

www.mathworksheets4kids.com

7)



8)

