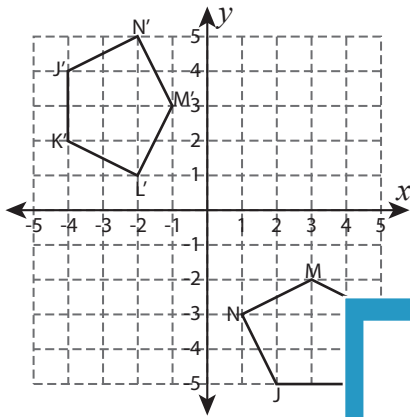


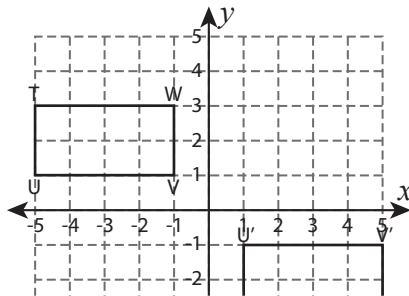
Multiple Choice

Choose the correct transformation.

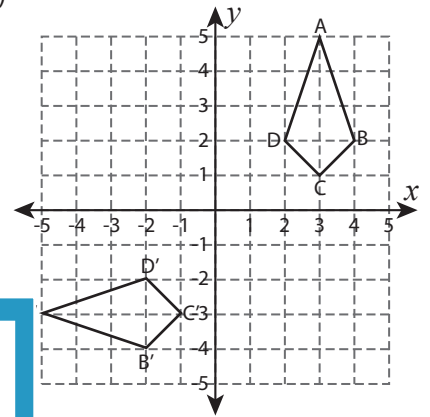
1)



2)



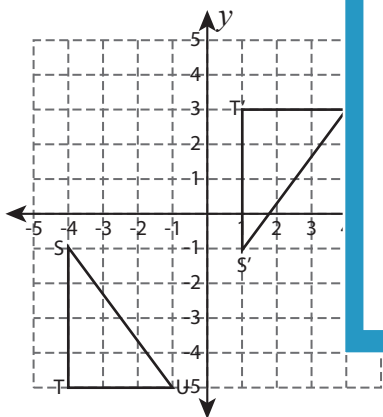
3)



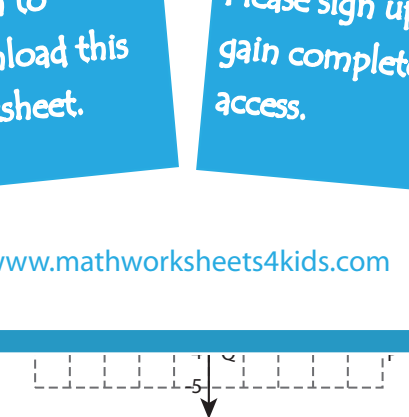
- a) reflected, then translated
- b) rotated, then translated
- c) rotated, then reflected

- a) rotated, then translated
- b) translated, then reflected
- c) reflected, then rotated

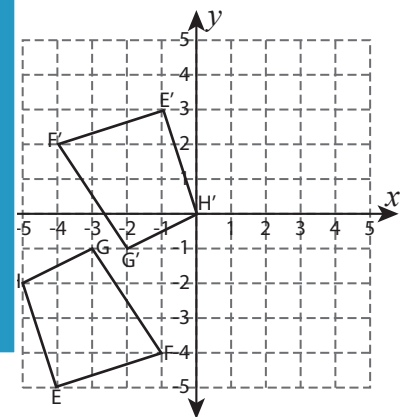
4)



- a) rotated, then reflected
- b) translated, then rotated
- c) reflected, then translated



- a) translated, then reflected
- b) rotated, then reflected
- c) rotated, then translated



- a) translated, then rotated
- b) reflected, then translated
- c) rotated, then reflected

PREVIEW

Gain complete access to the largest collection of worksheets in all subjects!

Members, please log in to download this worksheet.

Not a member? Please sign up to gain complete access.

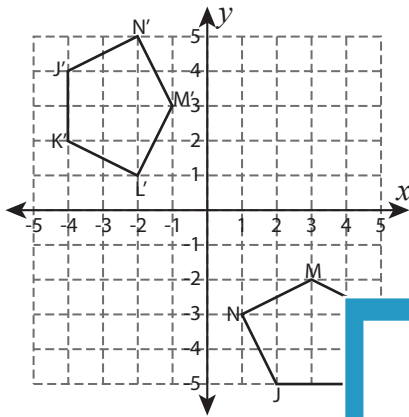
www.mathworksheets4kids.com

Answer key

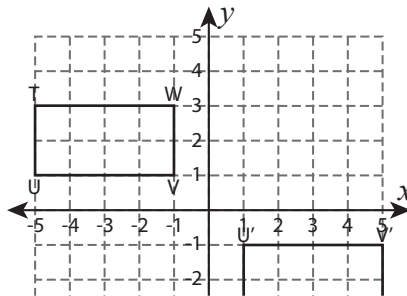
Multiple Choice

Choose the correct transformation.

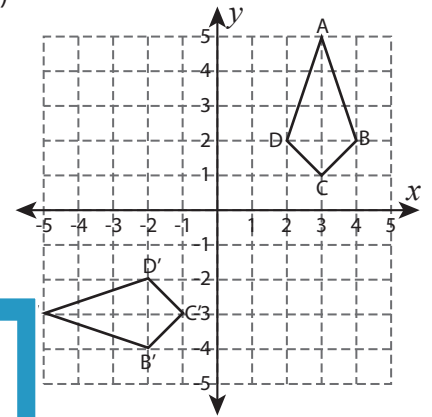
1)



2)



3)



a) reflected, then translated

b) rotated, then translated

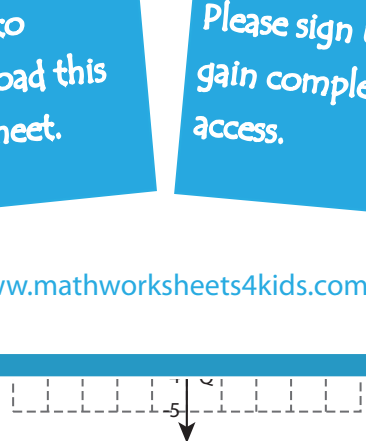
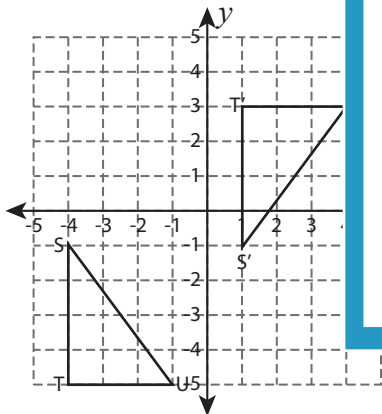
c) rotated, then reflected

a) rotated, then translated

b) translated, then reflected

c) reflected, then rotated

4)



a) rotated, then reflected

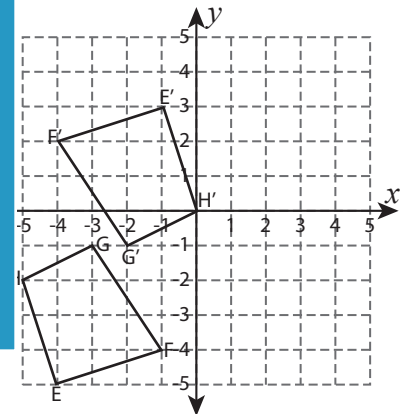
b) translated, then rotated

c) reflected, then translated

a) translated, then reflected

b) rotated, then reflected

c) rotated, then translated



a) translated, then rotated

b) reflected, then translated

c) rotated, then reflected