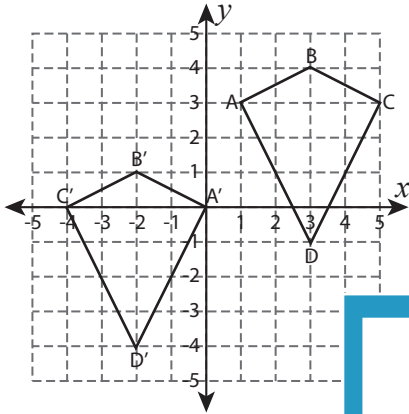


Multiple Choice

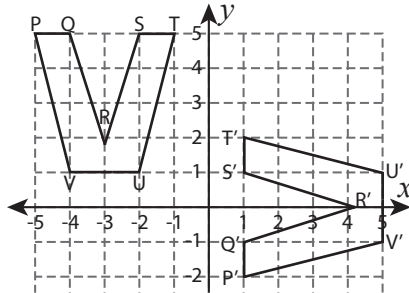
Choose the correct transformation.

1)

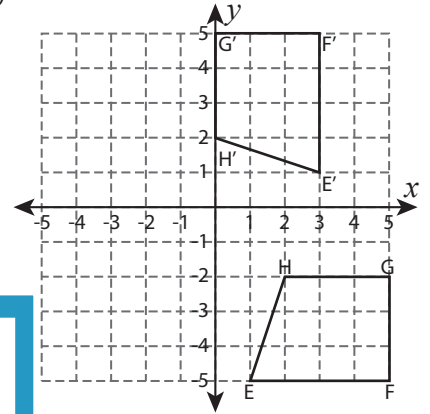


- a) reflected, then translated
- b) translated, then rotated
- c) rotated, then reflected

2)

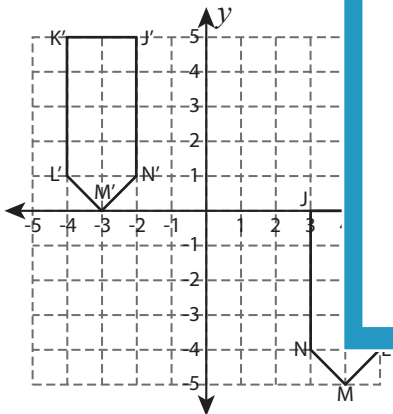


3)

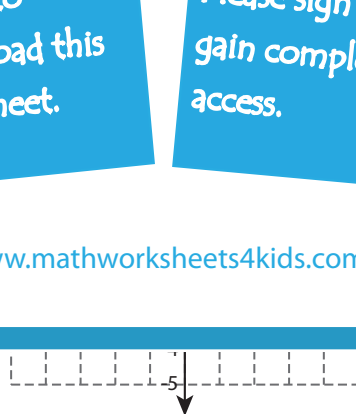


- a) reflected, then translated
- b) translated, then rotated
- c) rotated, then reflected

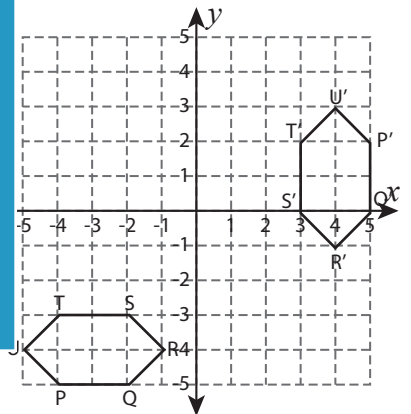
4)



- a) rotated, then reflected
- b) reflected, then translated
- c) rotated, then translated



- a) translated, then reflected
- b) reflected, then rotated
- c) translated, then rotated



- a) reflected, then translated
- b) translated, then rotated
- c) reflected, then rotated

PREVIEW

Gain complete access to the largest collection of worksheets in all subjects!

Members, please log in to download this worksheet.

Not a member? Please sign up to gain complete access.

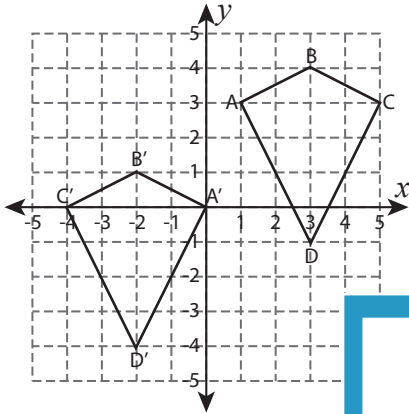
www.mathworksheets4kids.com

Answer key

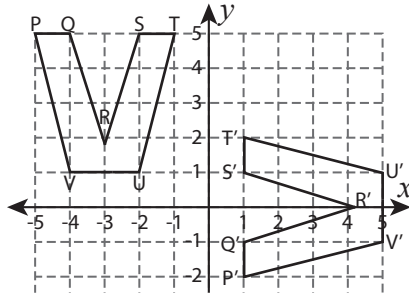
Multiple Choice

Choose the correct transformation.

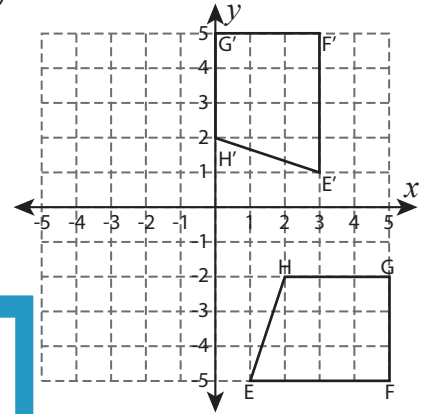
1)



2)



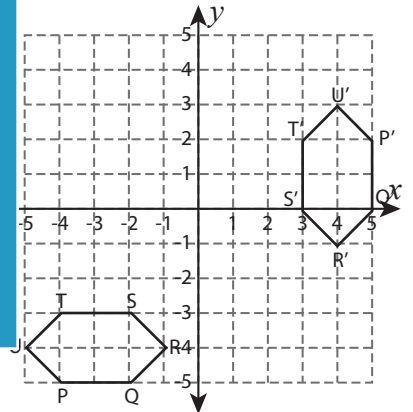
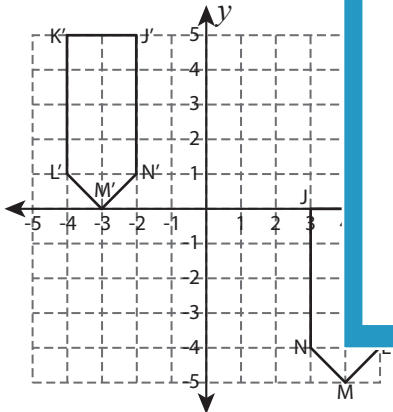
3)



- a) reflected, then translated
- b) translated, then rotated
- c) rotated, then reflected

- a) reflected, then translated
- b) translated, then rotated
- c) rotated, then reflected

4)



- a) rotated, then reflected
- b) reflected, then translated
- c) rotated, then translated

- a) translated, then reflected
- b) reflected, then rotated
- c) translated, then rotated

- a) reflected, then translated
- b) translated, then rotated
- c) reflected, then rotated

PREVIEW

Gain complete access to the largest collection of worksheets in all subjects!

Members, please log in to download this worksheet.

Not a member? Please sign up to gain complete access.

www.mathworksheets4kids.com