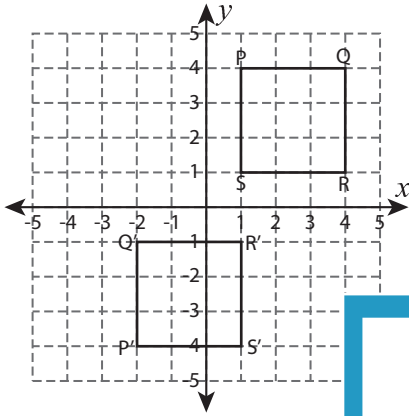


# Multiple Choice

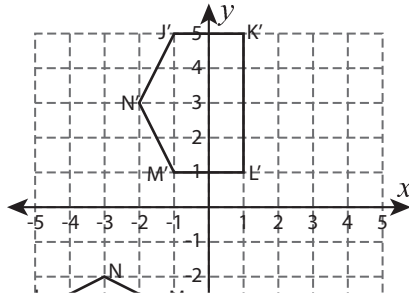
Choose the correct transformation.

1)



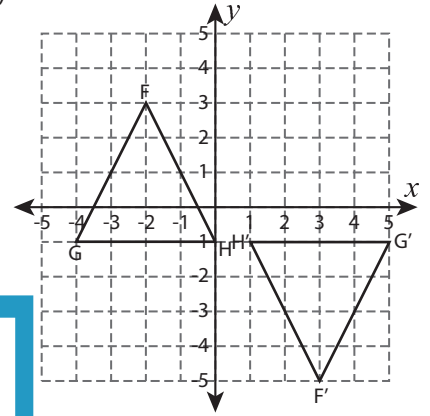
- a) translated, then reflected
- b) reflected, then rotated
- c) translated, then rotated

2)



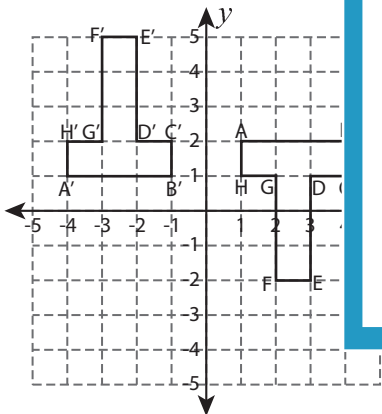
- a) rotated, then reflected
- b) translated, then rotated
- c) reflected, then translated

3)



- a) rotated, then translated
- b) reflected, then translated
- c) rotated, then reflected

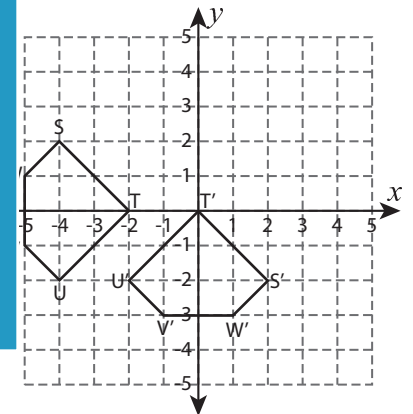
4)



- a) translated, then reflected
- b) rotated, then reflected
- c) translated, then rotated



- a) rotated, then reflected
- b) translated, then rotated
- c) reflected, then translated



- a) translated, then reflected
- b) rotated, then reflected
- c) rotated, then translated

# PREVIEW

Access the largest collection of  
worksheets for just **\$19.95** per year!

Members, please  
log in to  
download this  
worksheet.

Log in

Not a member?  
Please sign up to  
gain complete  
access.

Sign up

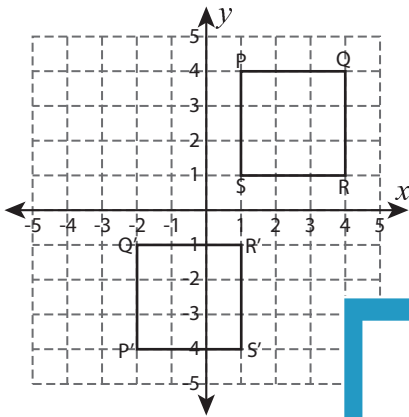
[www.mathworksheets4kids.com](http://www.mathworksheets4kids.com)

**Answer key**

**Multiple Choice**

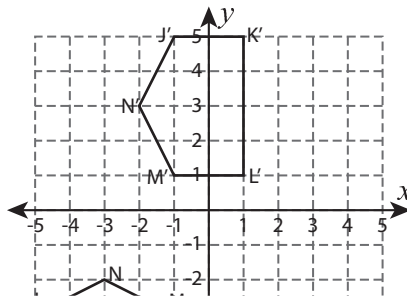
Choose the correct transformation.

1)



- a) translated, then reflected
- b) reflected, then rotated
- c) translated, then rotated

2)



**PREVIEW**

Access the largest collection of worksheets for just **\$19.95** per year!

Members, please log in to download this worksheet.

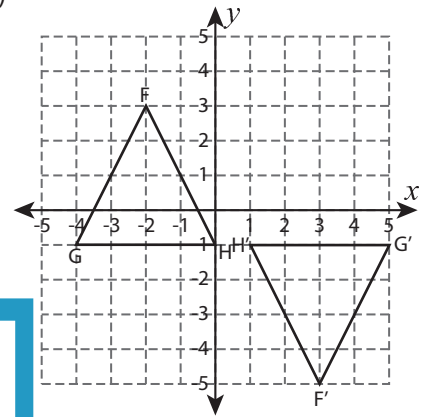
**Log in**

Not a member? Please sign up to gain complete access.

**Sign up**

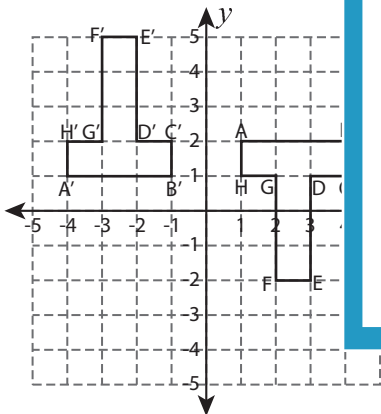
[www.mathworksheets4kids.com](http://www.mathworksheets4kids.com)

3)



- a) rotated, then translated
- b) reflected, then translated
- c) rotated, then reflected

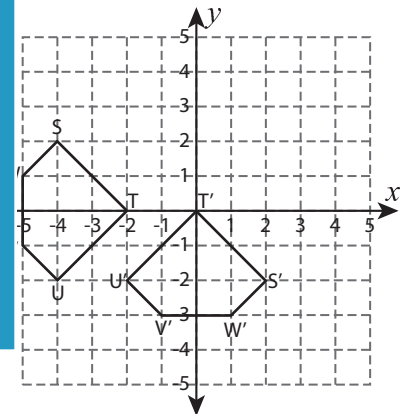
4)



- a) translated, then reflected
- b) rotated, then reflected
- c) translated, then rotated



- a) rotated, then reflected
- b) translated, then rotated
- c) reflected, then translated



- a) translated, then reflected
- b) rotated, then reflected
- c) rotated, then translated